
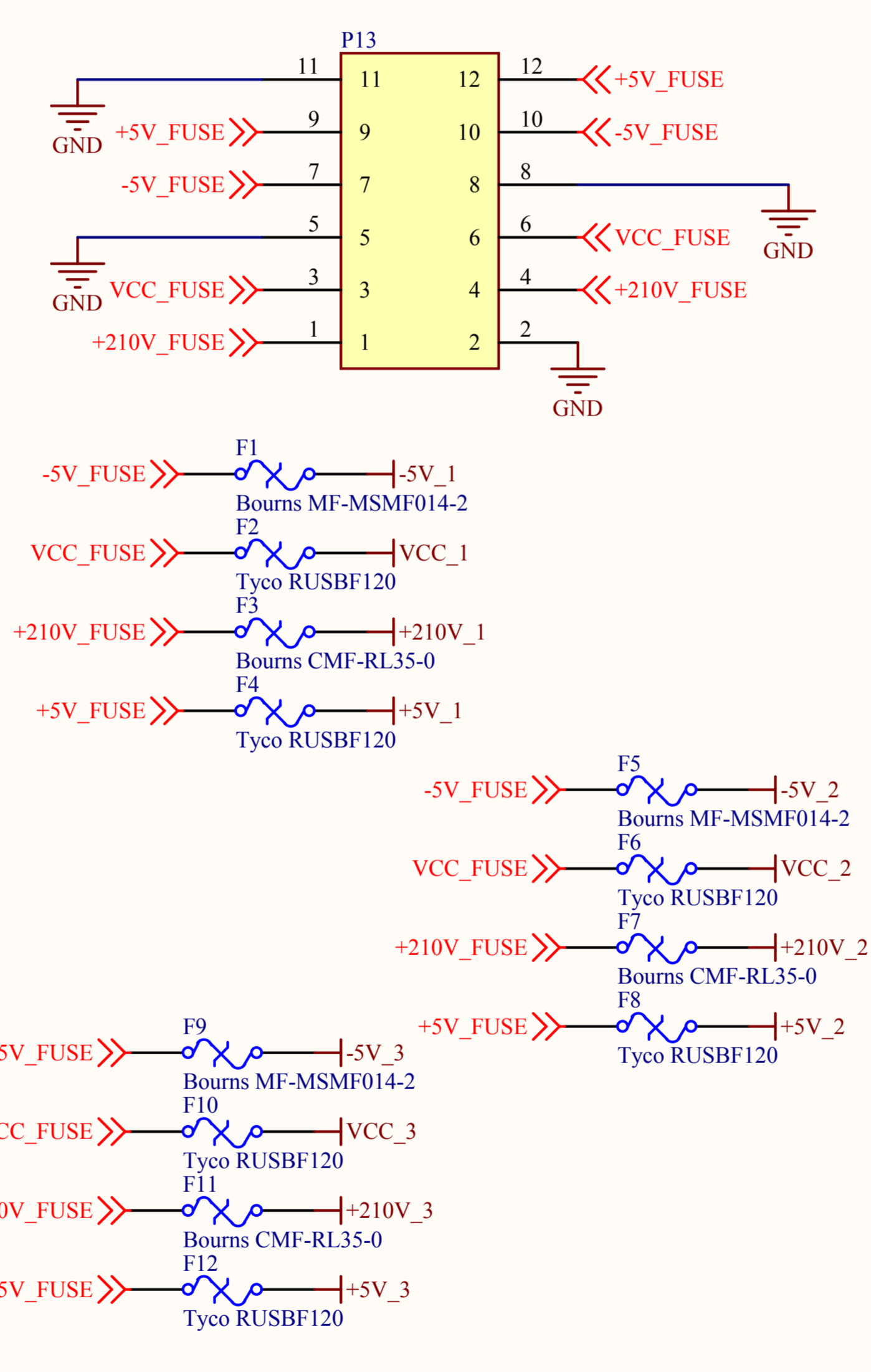
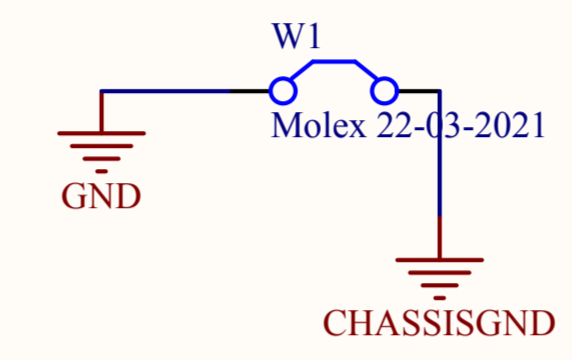
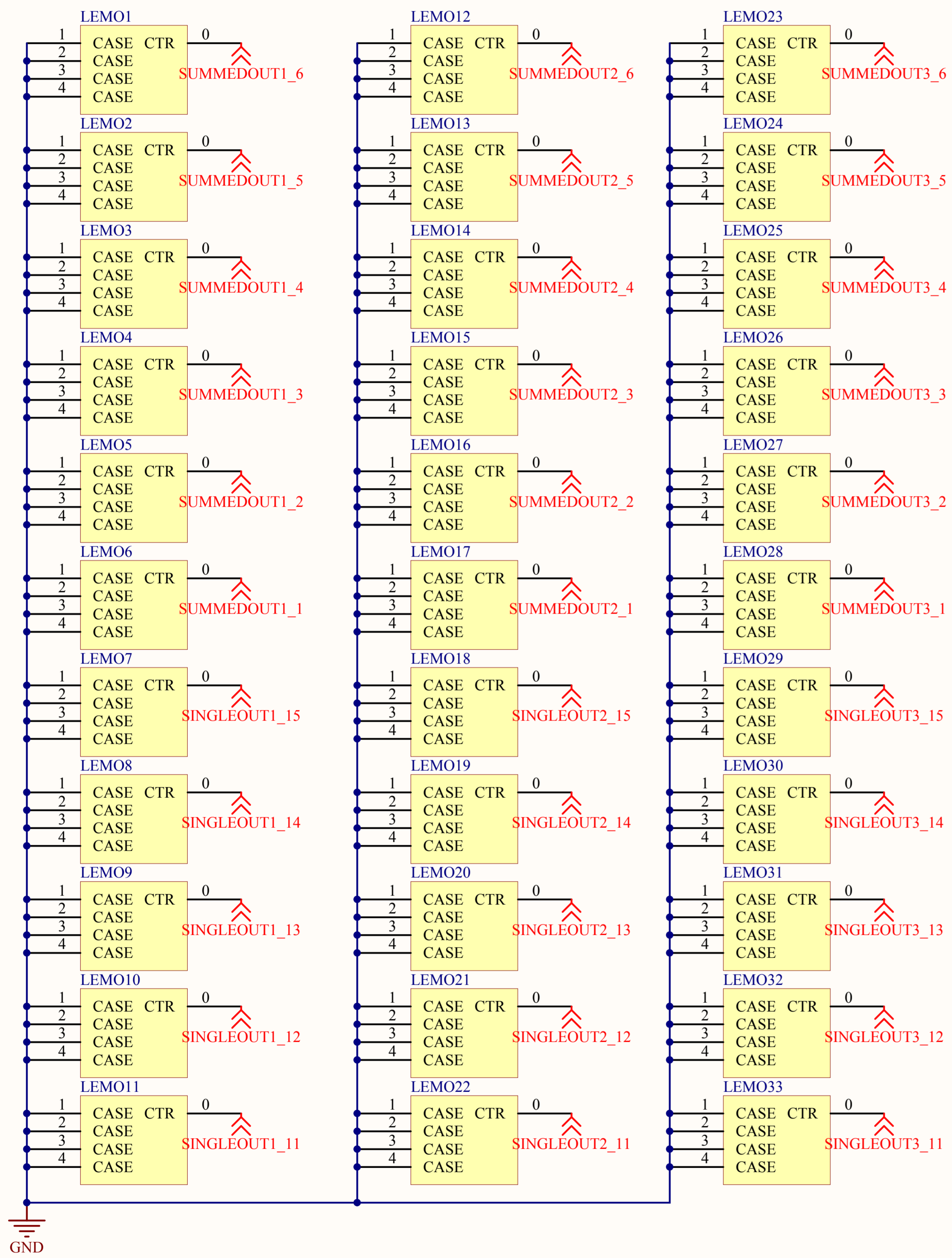


Title TAGM Backplane Analog Connector		Altium Limited L3, 12a Rodborough Rd Frenchs Forest NSW Australia 2086	
Size: B	Number:	Revision:	
Date: 6/13/2013	Time: 10:30:16 AM	Sheet 2 of 3	
File: C:\Documents and Settings\aebarne\My Documents\UConn\Barnes\Final Production\Backplane\Analog Connector.SchDoc			





Title TAGM Backplane LEMO		Altium Limited L3, 12a Rodborough Rd Frenchs Forest NSW Australia 2086		
Size: B	Number:	Revision:		
Date: 6/13/2013	Time: 10:30:16 AM	Sheet 3 of 3		
File: C:\Documents and Settings\aebarne\My Documents\UConn\Barnes\Final Production\Backplane\LEMO.SchDoc				

BlueX Tagger Fiberscope Backplane
University of Connecticut
Revision: 3/28/2013
AEB / RTJ

