
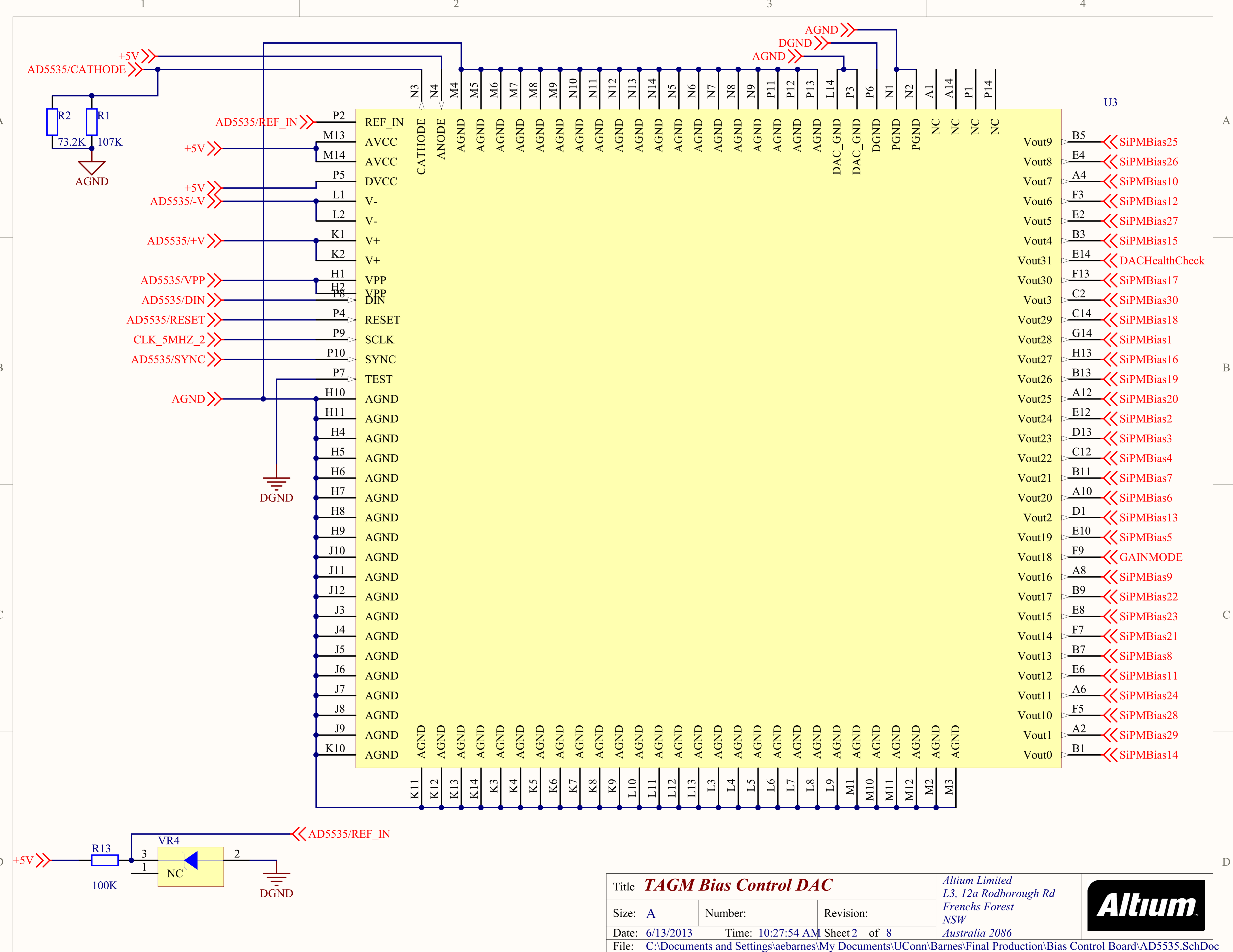
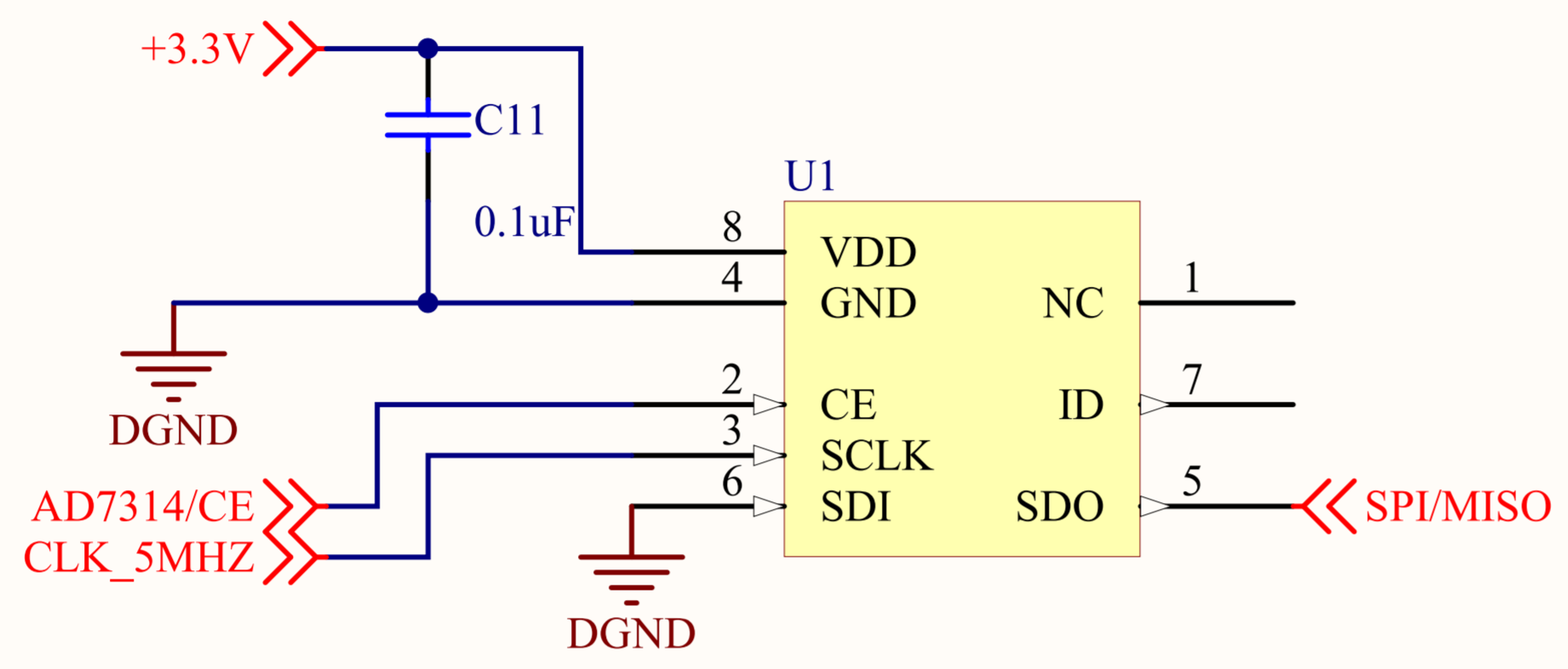



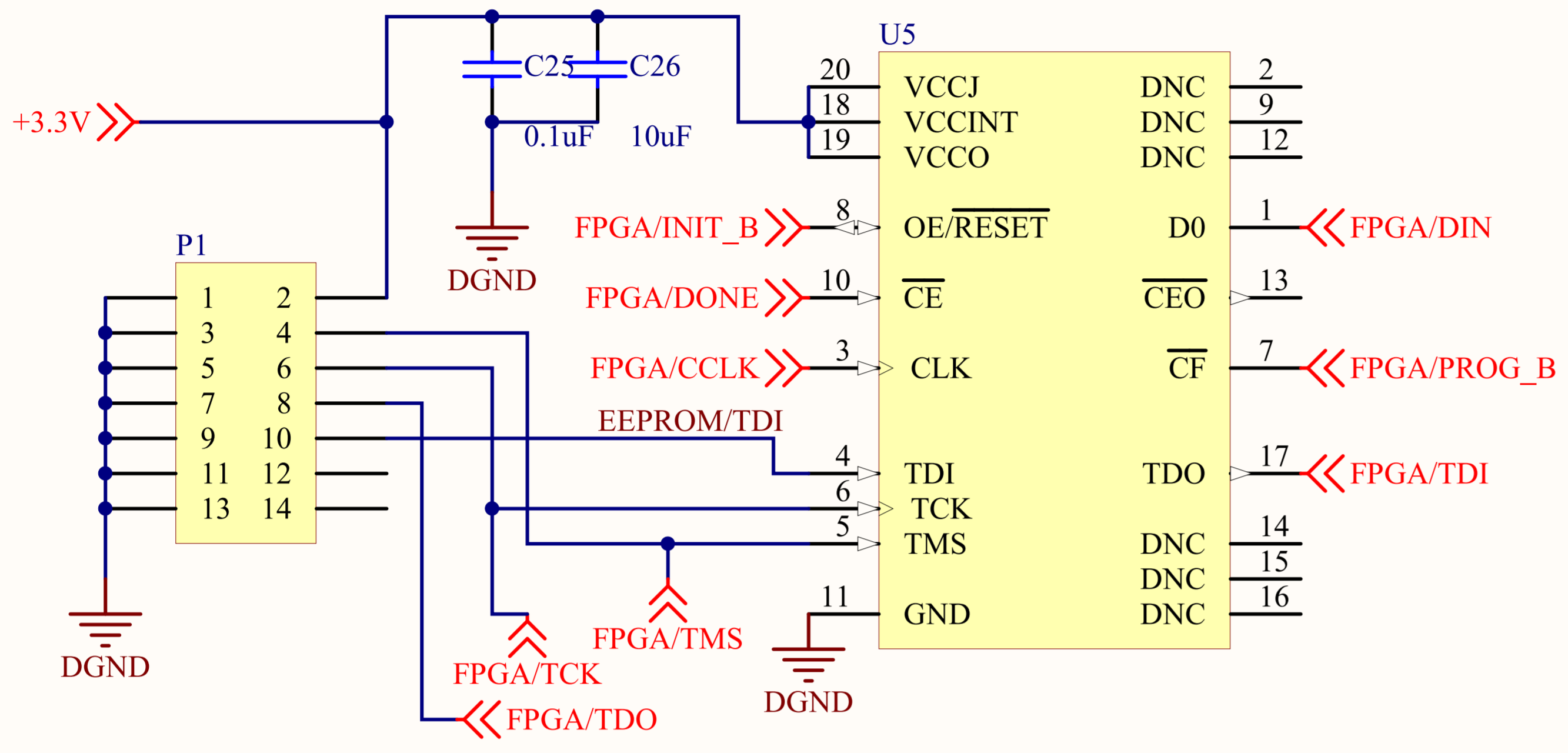
Title <i>TAGM Bias Control Power Regulator</i>			Altium Limited L3, 12a Rodborough Rd Frenchs Forest NSW Australia 2086		
Size: A	Number:	Revision:			
Date: 6/13/2013	Time: 10:27:53 AM Sheet 1 of 8				
File: C:\Documents and Settings\aeabarnes\My Documents\UConn\Barnes\Final Production\Bias Control Board\Power and Voltage Regulators.SchDoc					



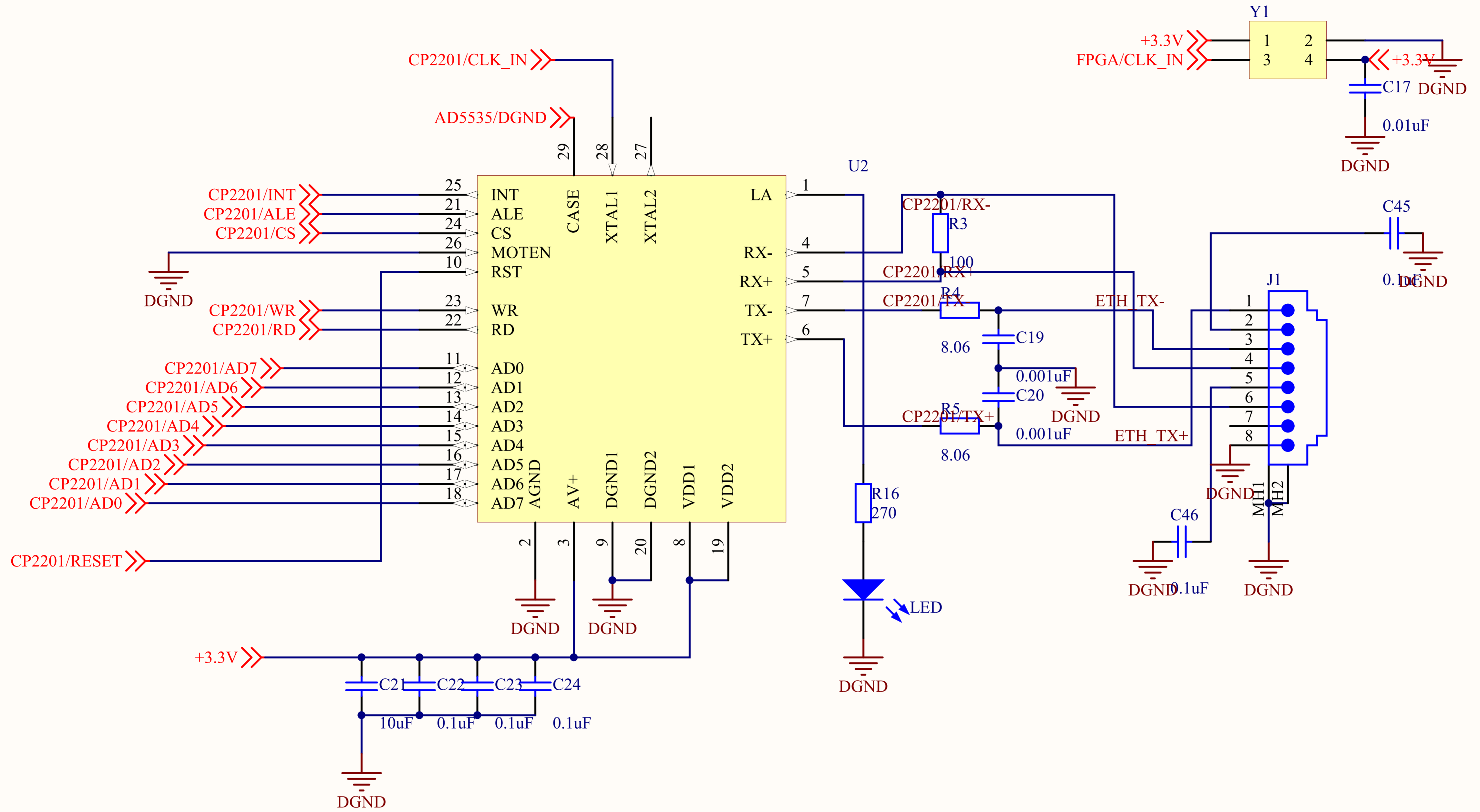
Title TAGM Bias Control DAC			Altium Limited L3, 12a Rodborough Rd Frenchs Forest NSW Australia 2086	
Size: A	Number:	Revision:		
Date: 6/13/2013	Time: 10:27:54 AM Sheet 2 of 8			
File: C:\Documents and Settings\aeabarnes\My Documents\UConn\Barnes\Final Production\Bias Control Board\AD5535.SchDoc				

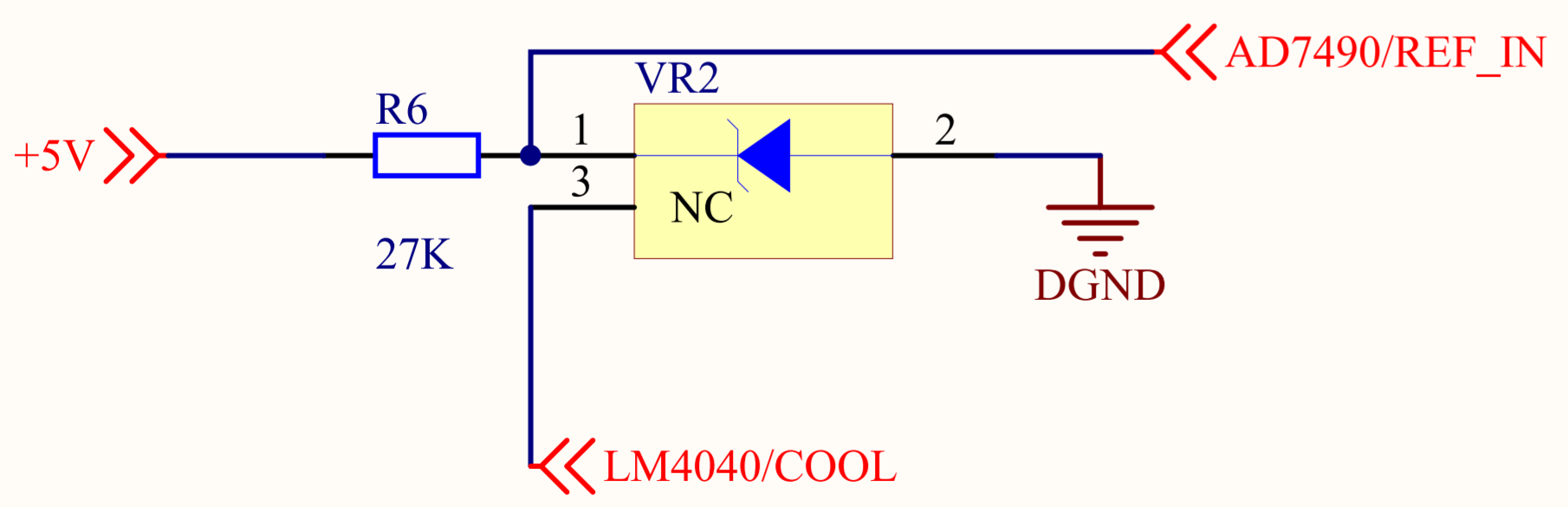
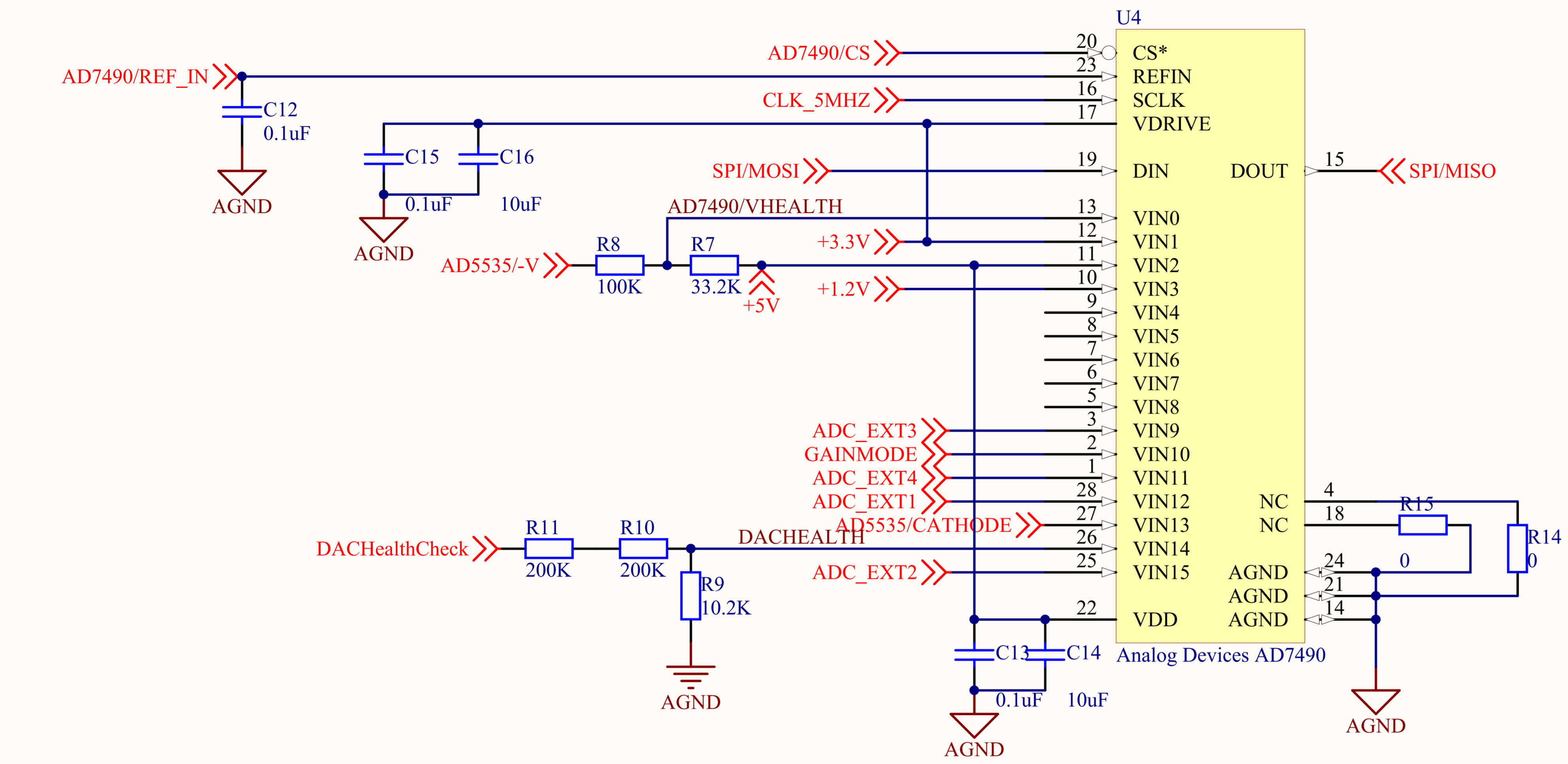



Title <i>TAGM Bias Control Temperature Monitor</i>			<i>Altium Limited</i> <i>L3, 12a Rodborough Rd</i> <i>Frenchs Forest</i> <i>NSW</i> <i>Australia 2086</i>	
Size: A	Number:	Revision:		
Date: 6/13/2013	Time: 10:27:54 AM Sheet 3 of 8			
File: C:\Documents and Settings\aeabarnes\My Documents\UConn\Barnes\Final Production\Bias Control Board\AD7314.SchDoc				

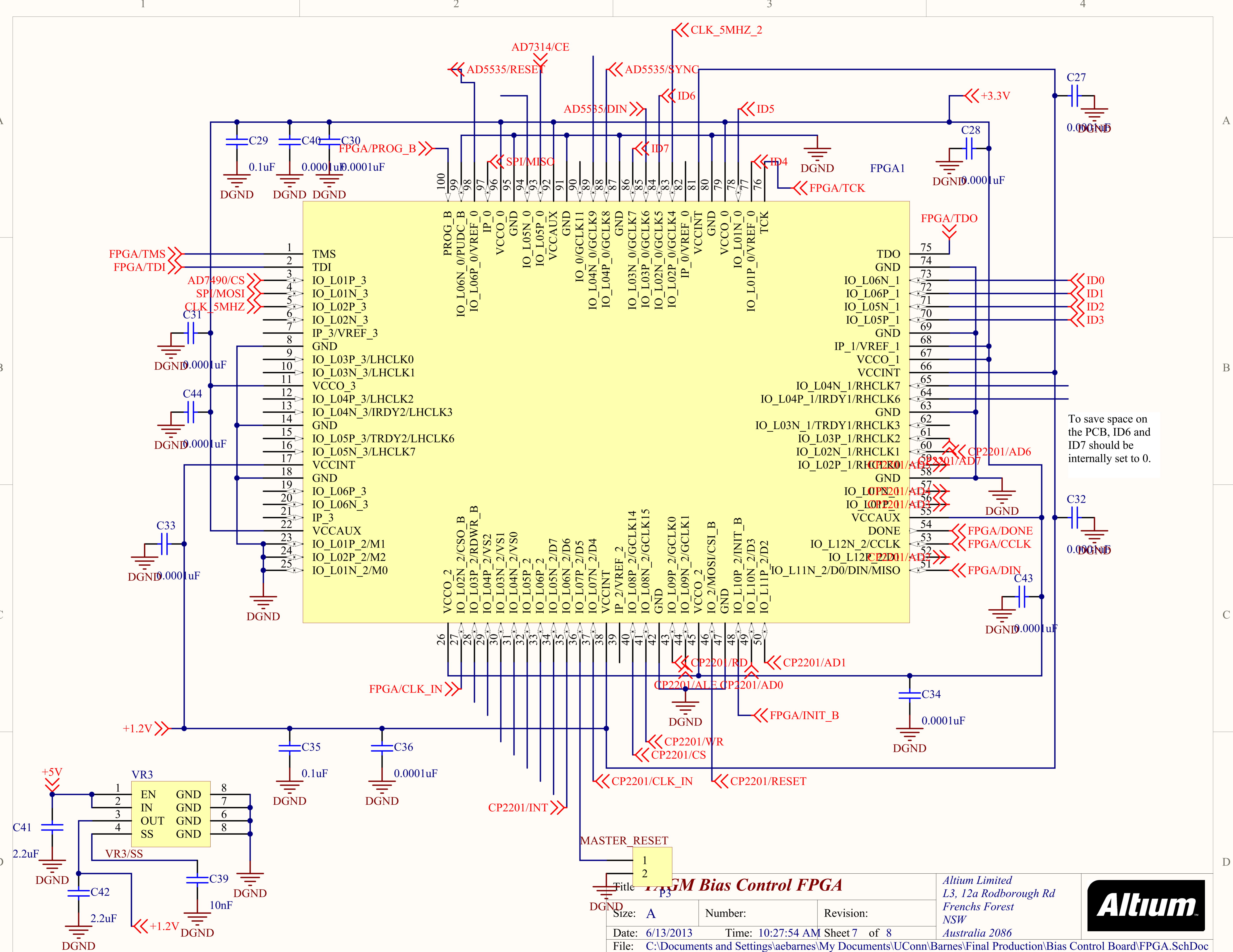


Title <i>TAGM Bias Control EEPROM</i>			Altium Limited L3, 12a Rodborough Rd Frenchs Forest NSW Australia 2086	
Size: A	Number:	Revision:		
Date: 6/13/2013	Time: 10:27:54 AM Sheet 4 of 8			
File: C:\Documents and Settings\aebarne\My Documents\UConn\Barnes\Final Production\Bias Control Board\EEPROM.SchDoc				





Title TAGM Bias Control ADC			Altium Limited L3, 12a Rodborough Rd Frenchs Forest NSW Australia 2086
Size: A	Number:	Revision:	
Date: 6/13/2013	Time: 10:27:54 AM Sheet 6 of 8		
File: C:\Documents and Settings\aeabarnes\My Documents\UConn\Barnes\Final Production\Bias Control Board\AD7490.SchDoc			

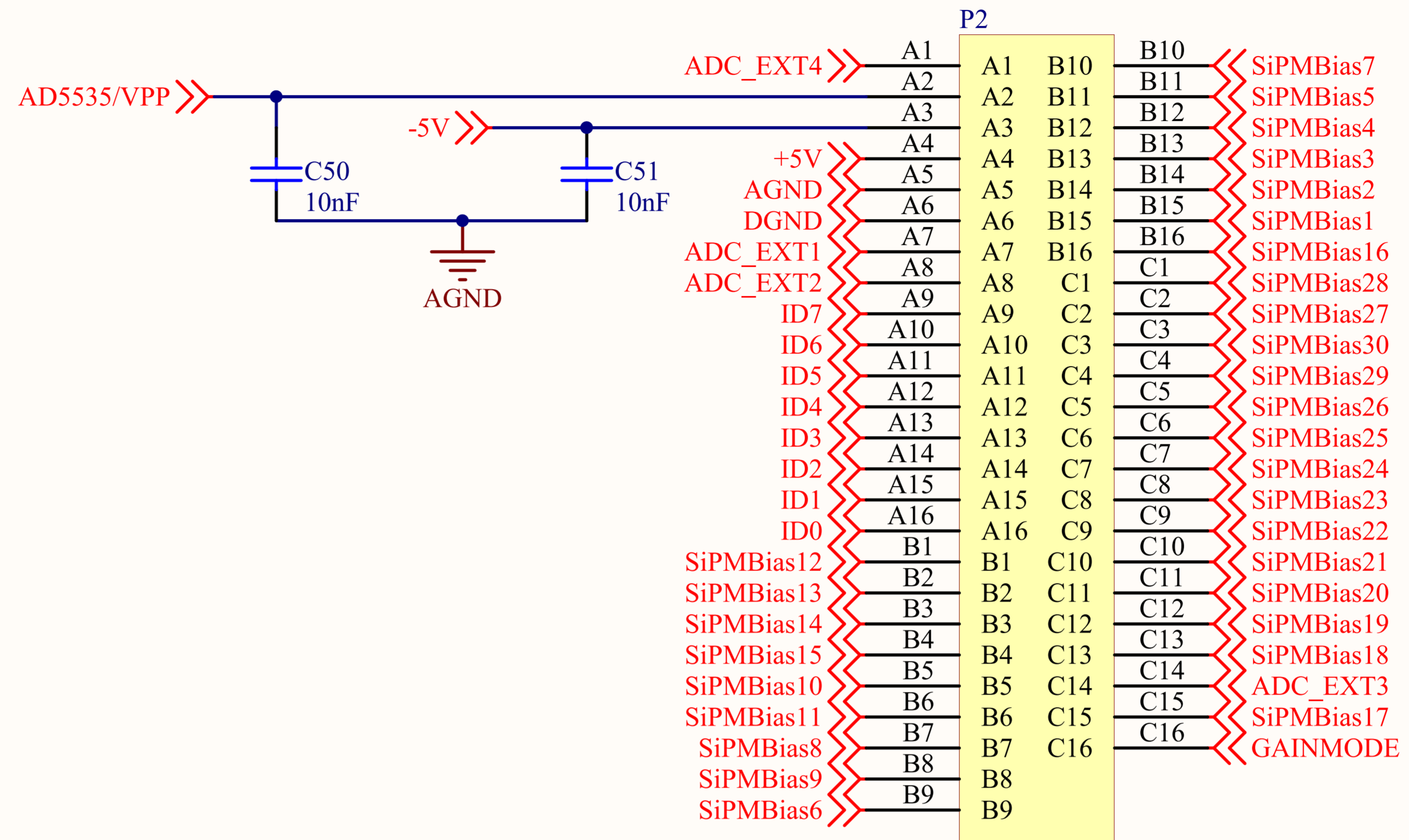


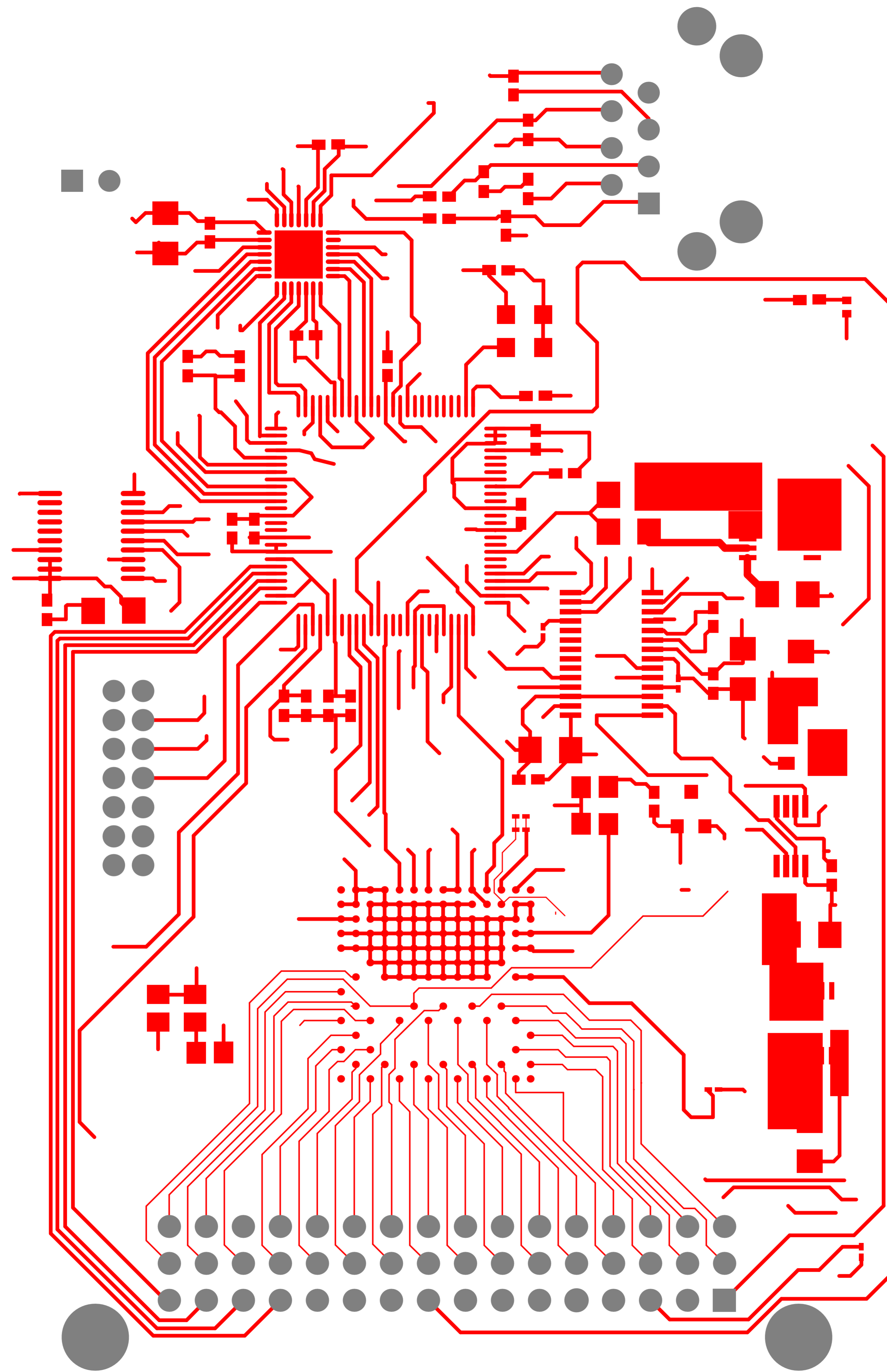
GM Bias Control FPGA

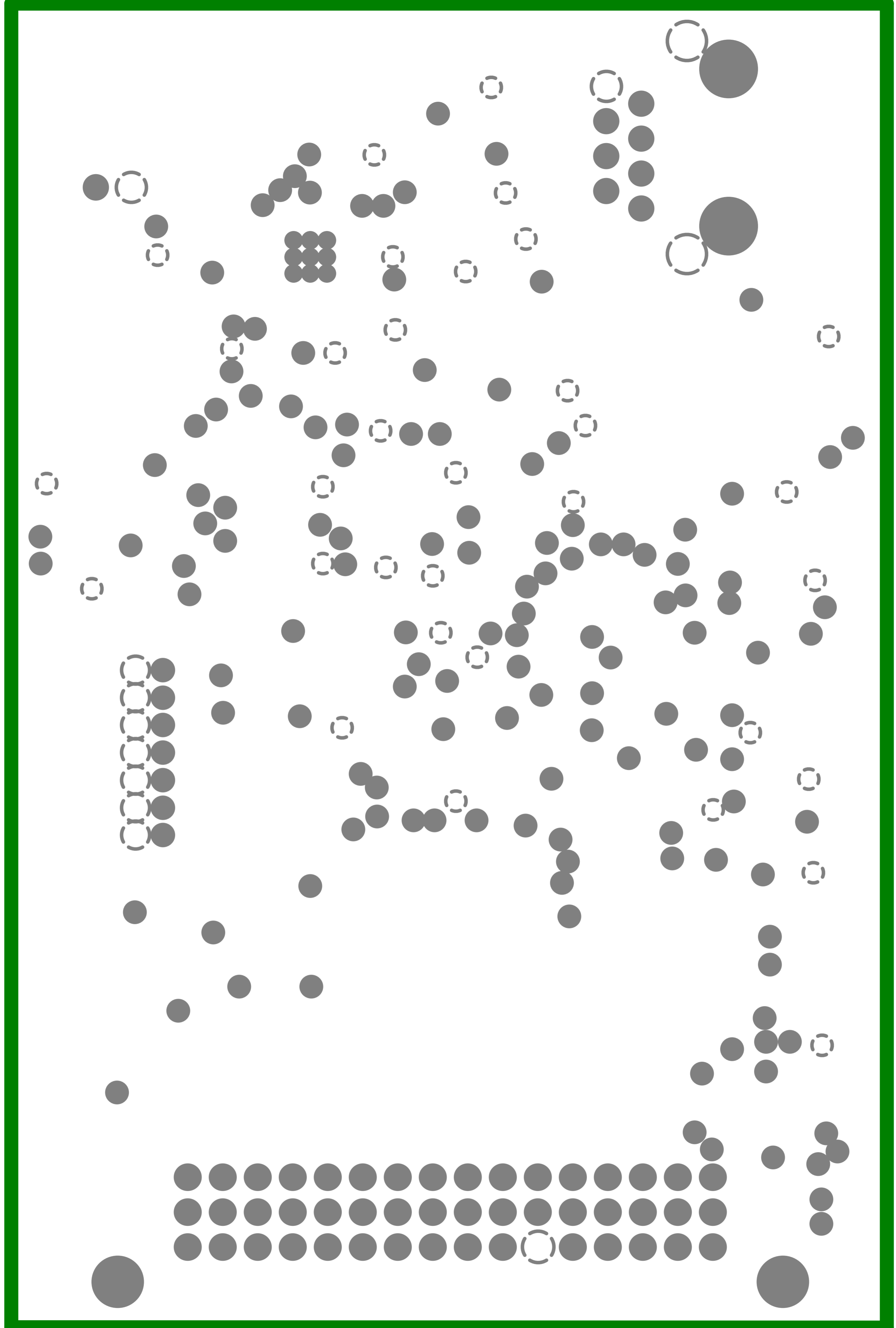
File: GM Bias Control FPGA	Number:	Revision:
Size: A	Date: 6/13/2013	Time: 10:27:54 AM
	Sheet 7 of 8	
File: C:\Documents and Settings\aebarne\My Documents\UConn\Barnes\Final Production\Bias Control Board\FPGA.SchDoc		

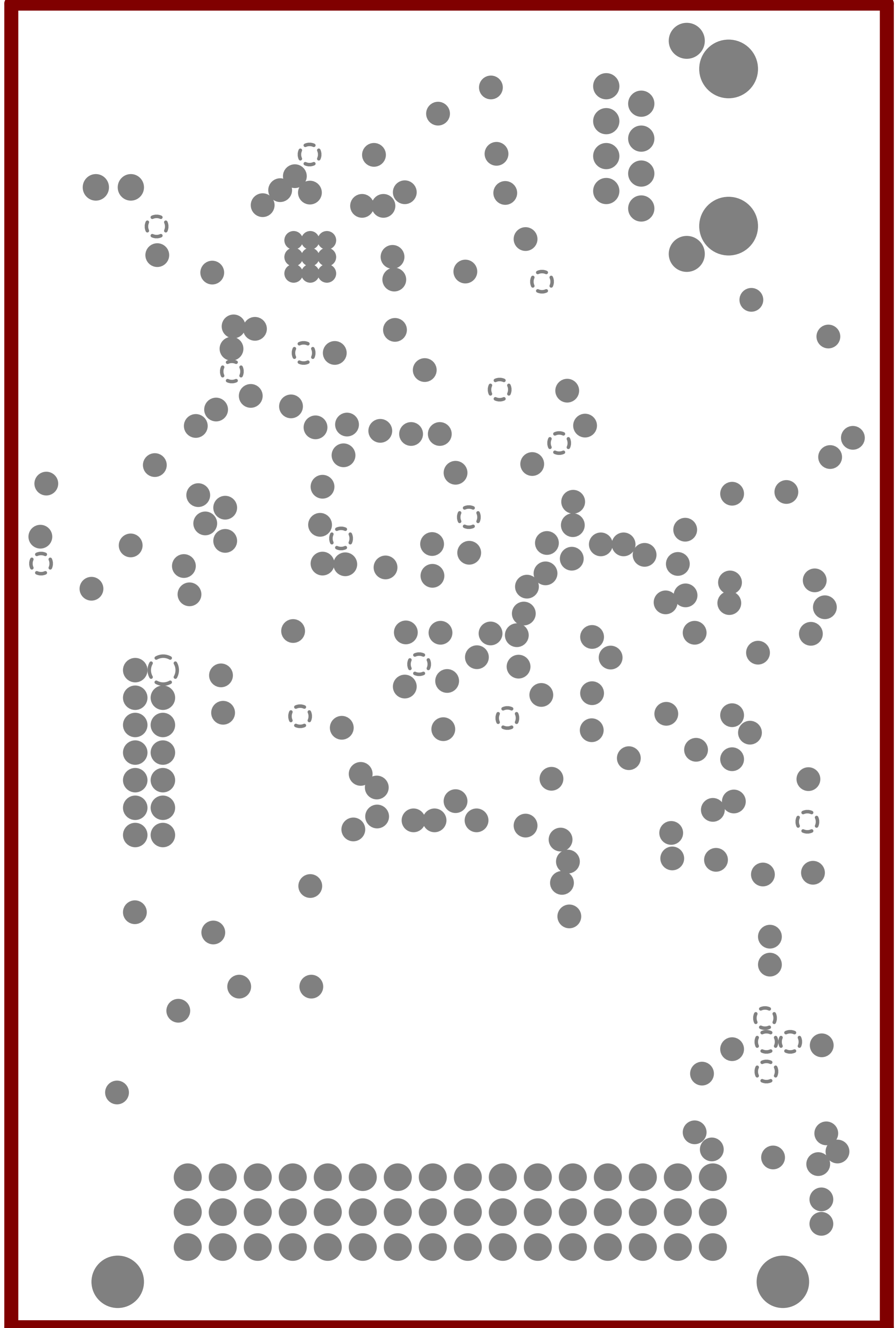
Altium Limited
 L3, 12a Rodborough Rd
 Frenchs Forest
 NSW
 Australia 2086

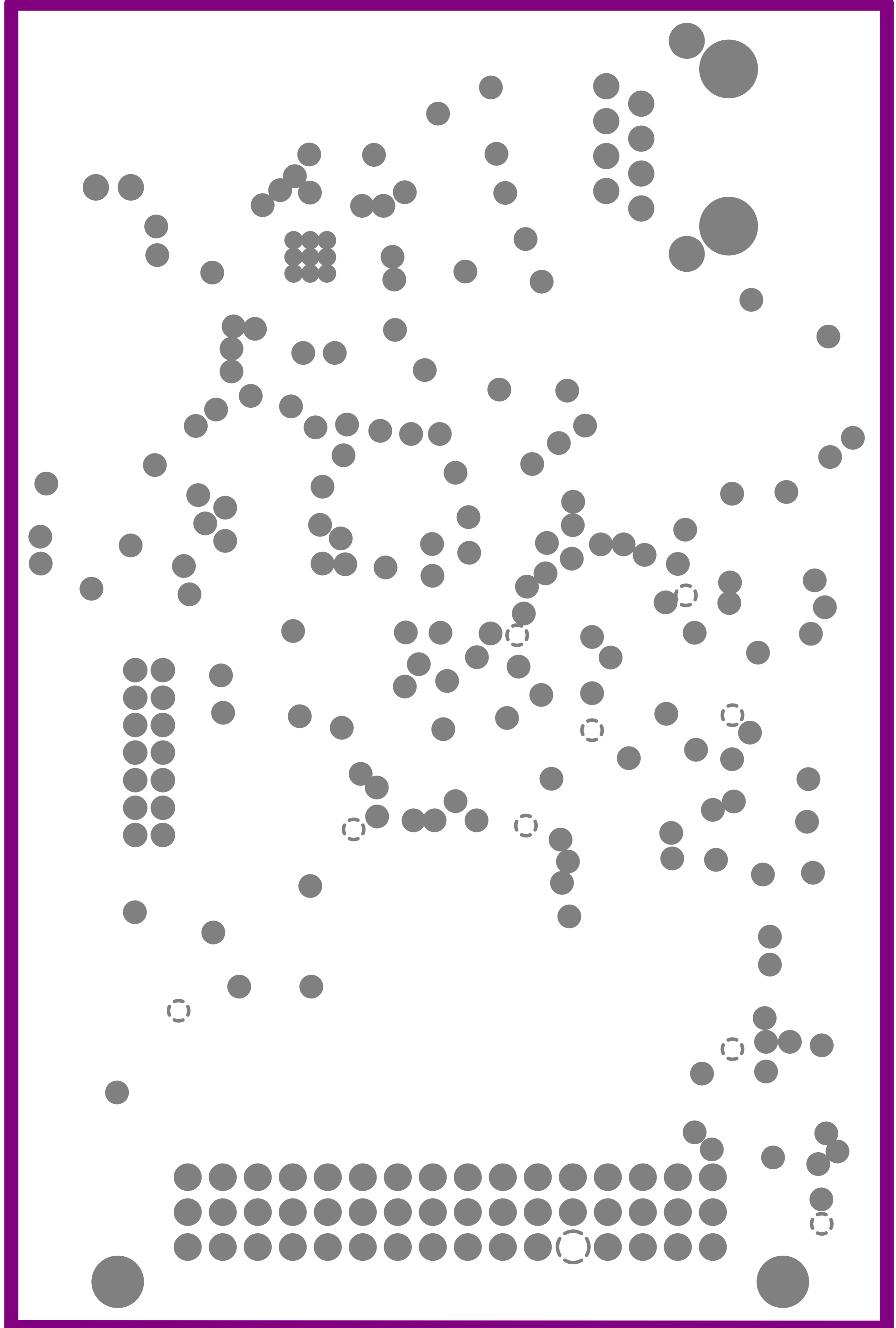


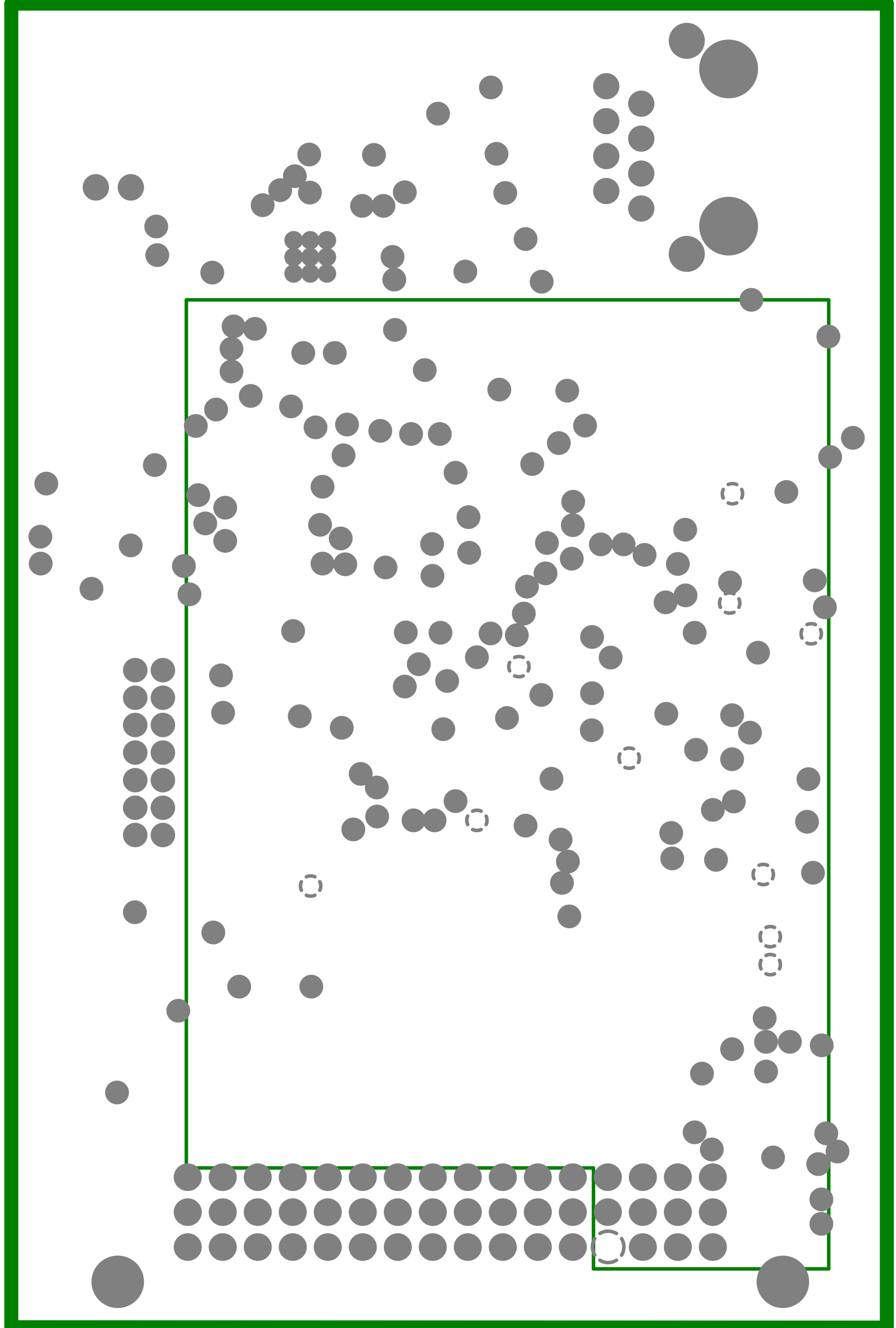


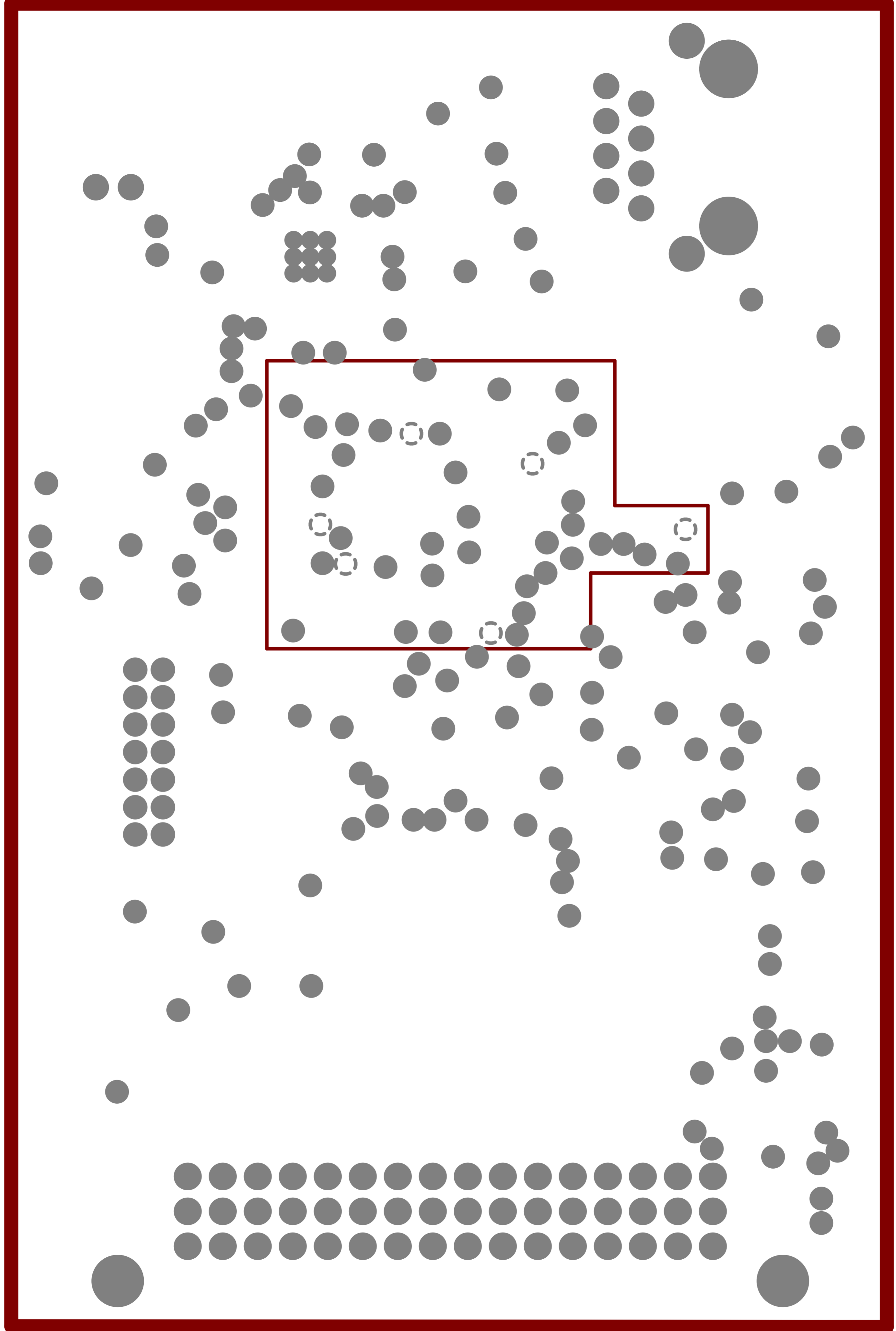


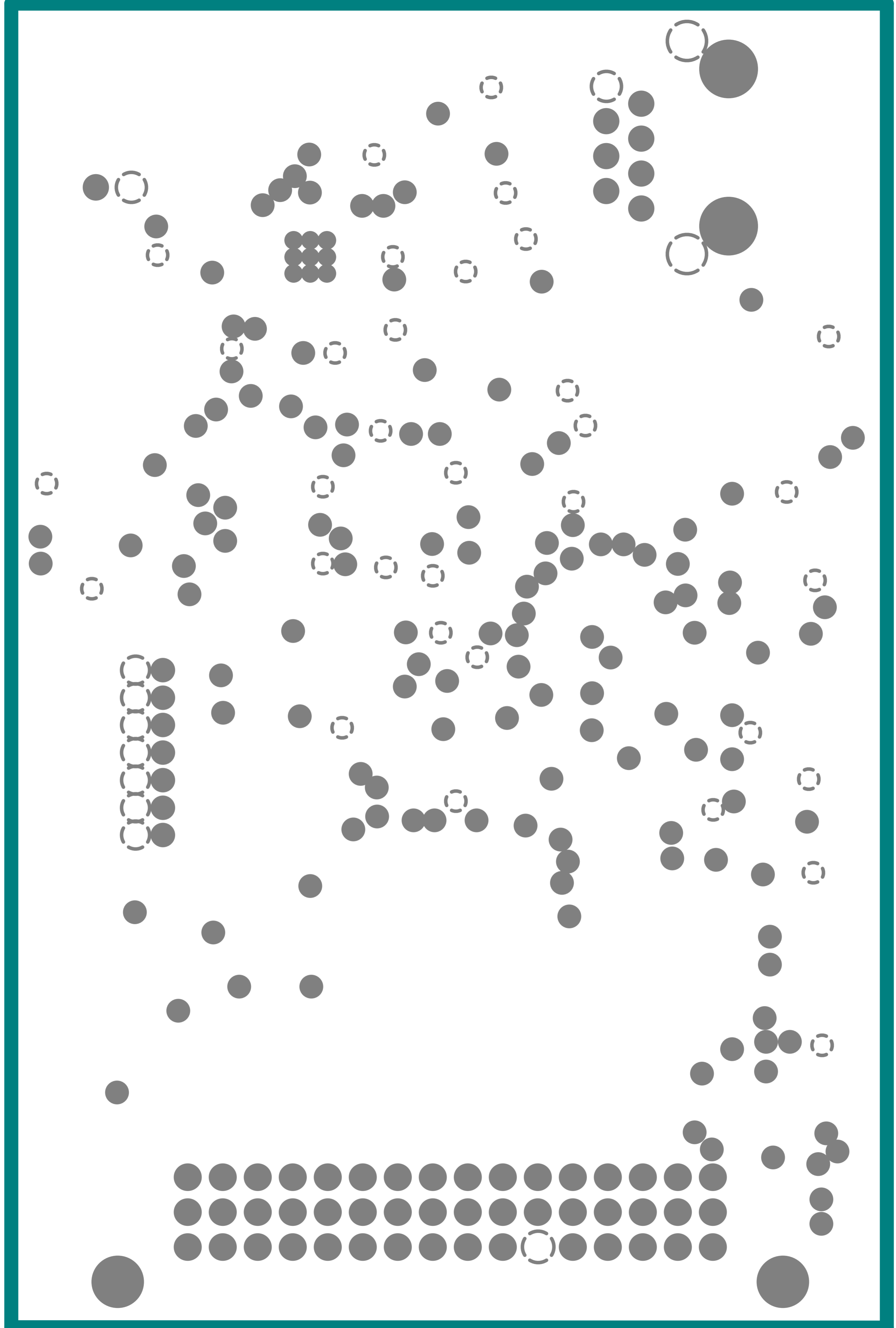


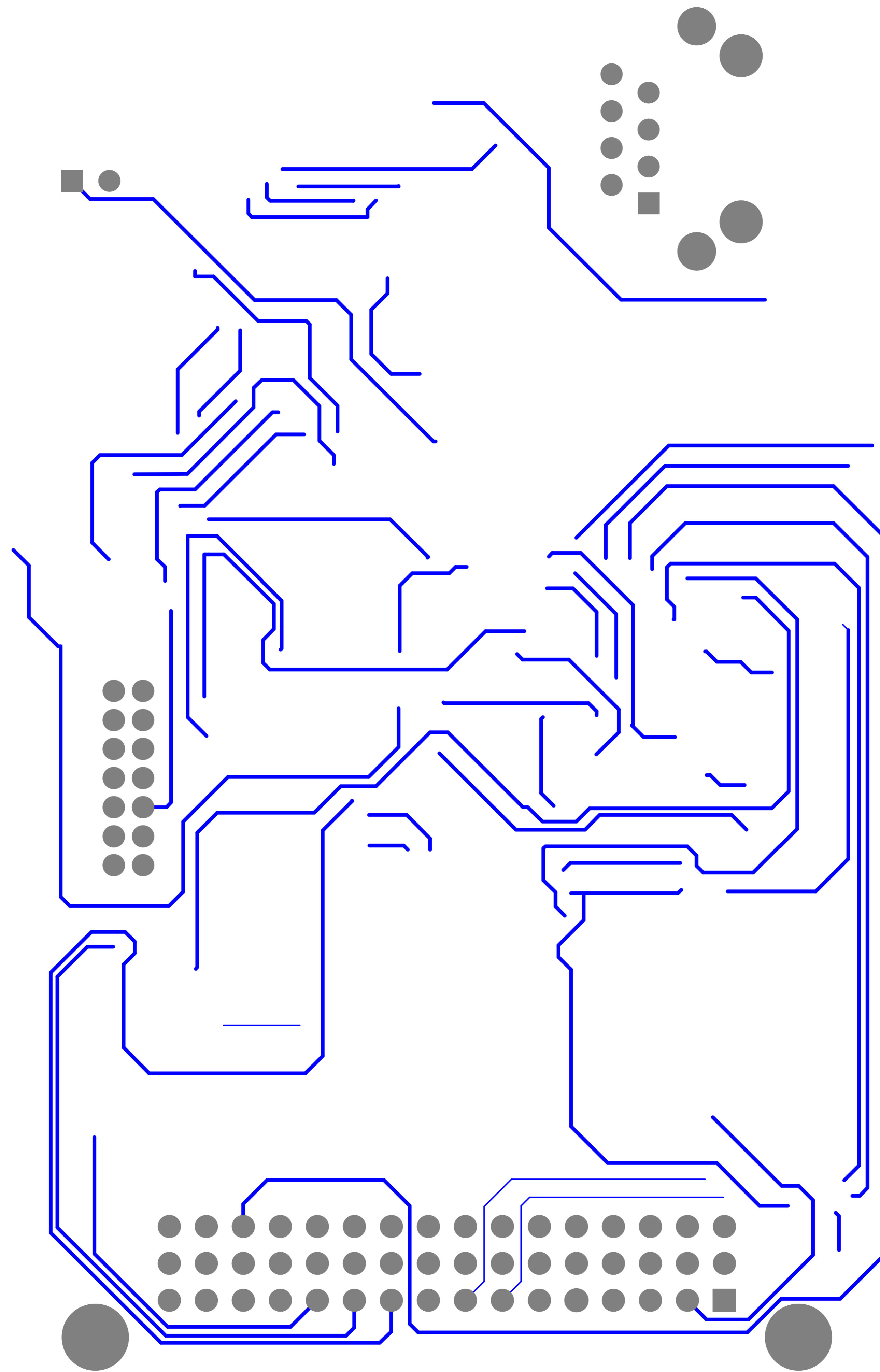












GlueX Tagger Microscope Bias Control
University of Connecticut
Revision: 3/25/2013
AEB / RTJ

