
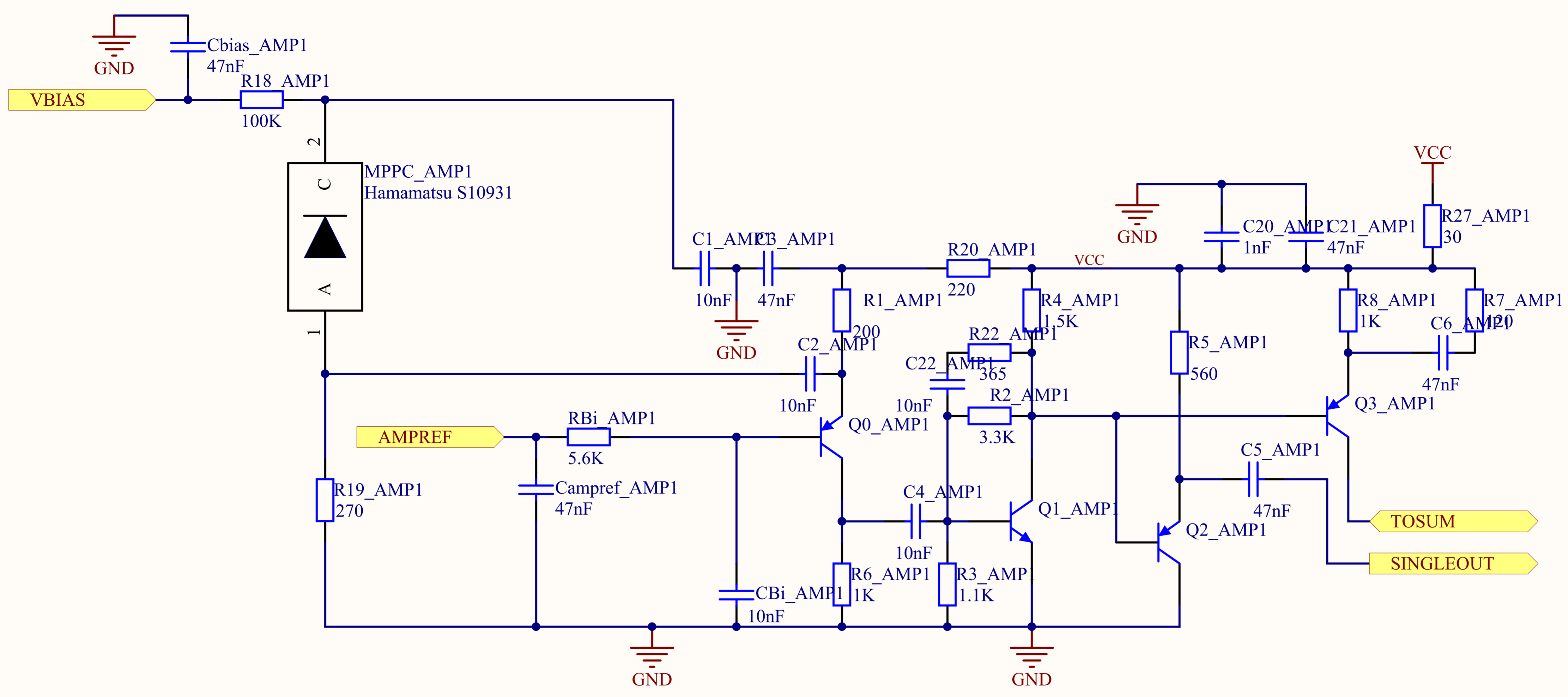


Title <b>TAGM Preamp Summer</b>			Altium Limited L3, 12a Rodborough Rd Frenchs Forest NSW Australia 2086	
Size: B	Number:	Revision:		
Date: 6/17/2013	Time: 11:27:15 AM	Sheet 2 of 5		
File: C:\Documents and Settings\aeabarnes\My Documents\UConn\Barnes\Final Production\Preamplifier\Preamp_Sum.SchDoc				



Title **TAGM Preamp Individual Channel**

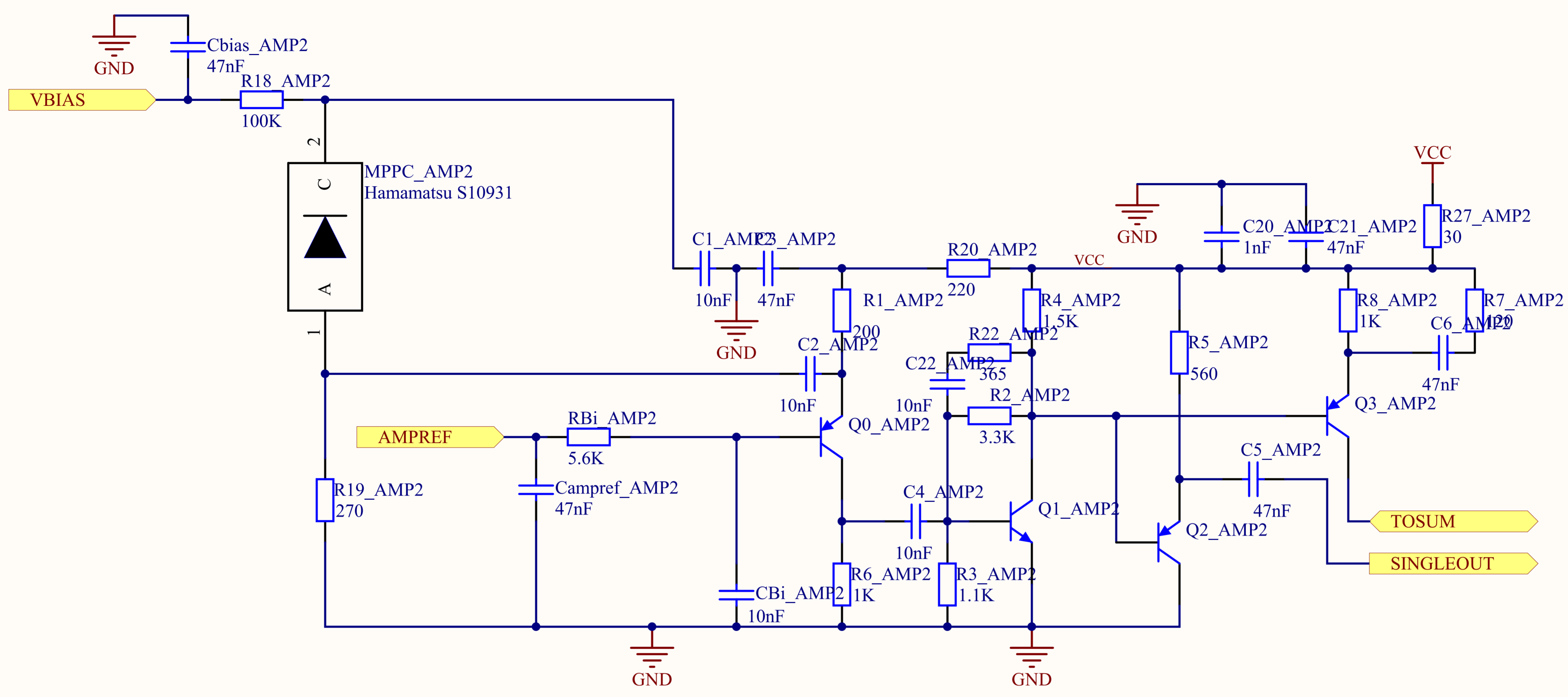
Size: A Number: Revision:

Date: 6/17/2013 Time: 11:27:15 AM Sheet 3 of 5

File: C:\Documents and Settings\aebarne\My Documents\UConn\Barnes\Final Production\Preamplifier\Preamp\_Chan.SchDoc

Altium Limited  
L3, 12a Rodborough Rd  
Frenchs Forest  
NSW  
Australia 2086





Title **TAGM Preamp Individual Channel**

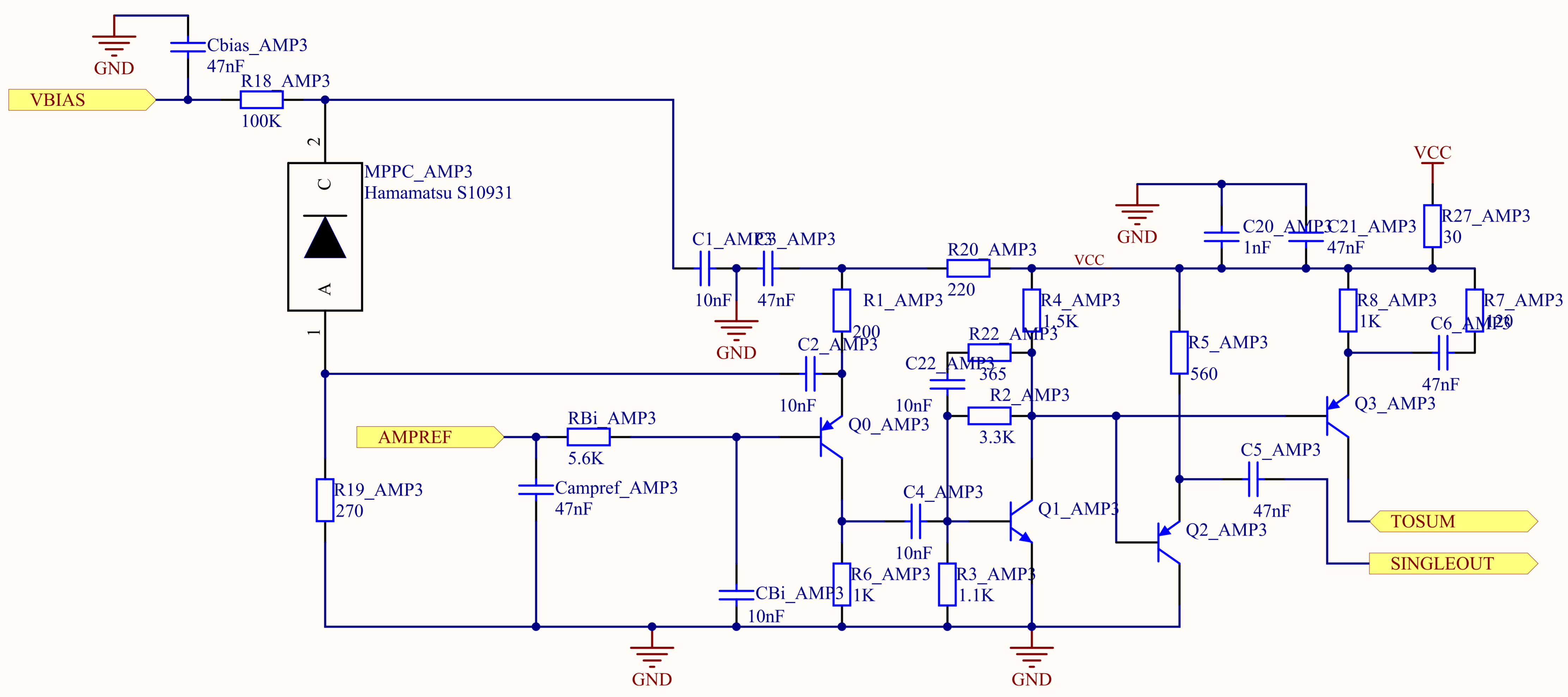
Size: A      Number:      Revision:

Date: 6/17/2013      Time: 11:27:15 AM Sheet 3 of 5

File: C:\Documents and Settings\aebarne\My Documents\UConn\Barnes\Final Production\Preamplifier\Preamp\_Chan.SchDoc

Altium Limited  
L3, 12a Rodborough Rd  
Frenchs Forest  
NSW  
Australia 2086





Title **TAGM Preamp Individual Channel**

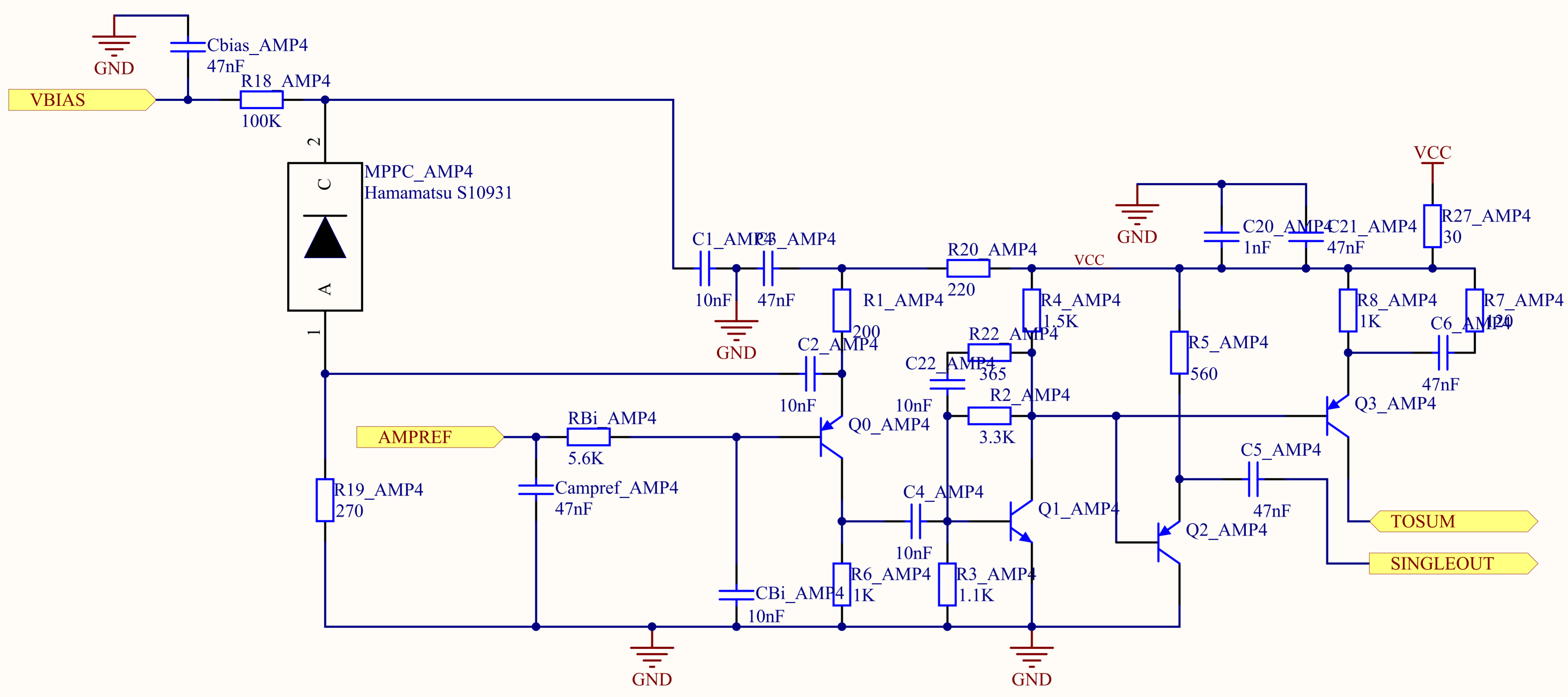
Size: A Number: Revision:

Date: 6/17/2013 Time: 11:27:15 AM Sheet 3 of 5

File: C:\Documents and Settings\aebarne\My Documents\UConn\Barnes\Final Production\Preamplifier\Preamp\_Chan.SchDoc

Altium Limited  
L3, 12a Rodborough Rd  
Frenchs Forest  
NSW  
Australia 2086





Title **TAGM Preamp Individual Channel**

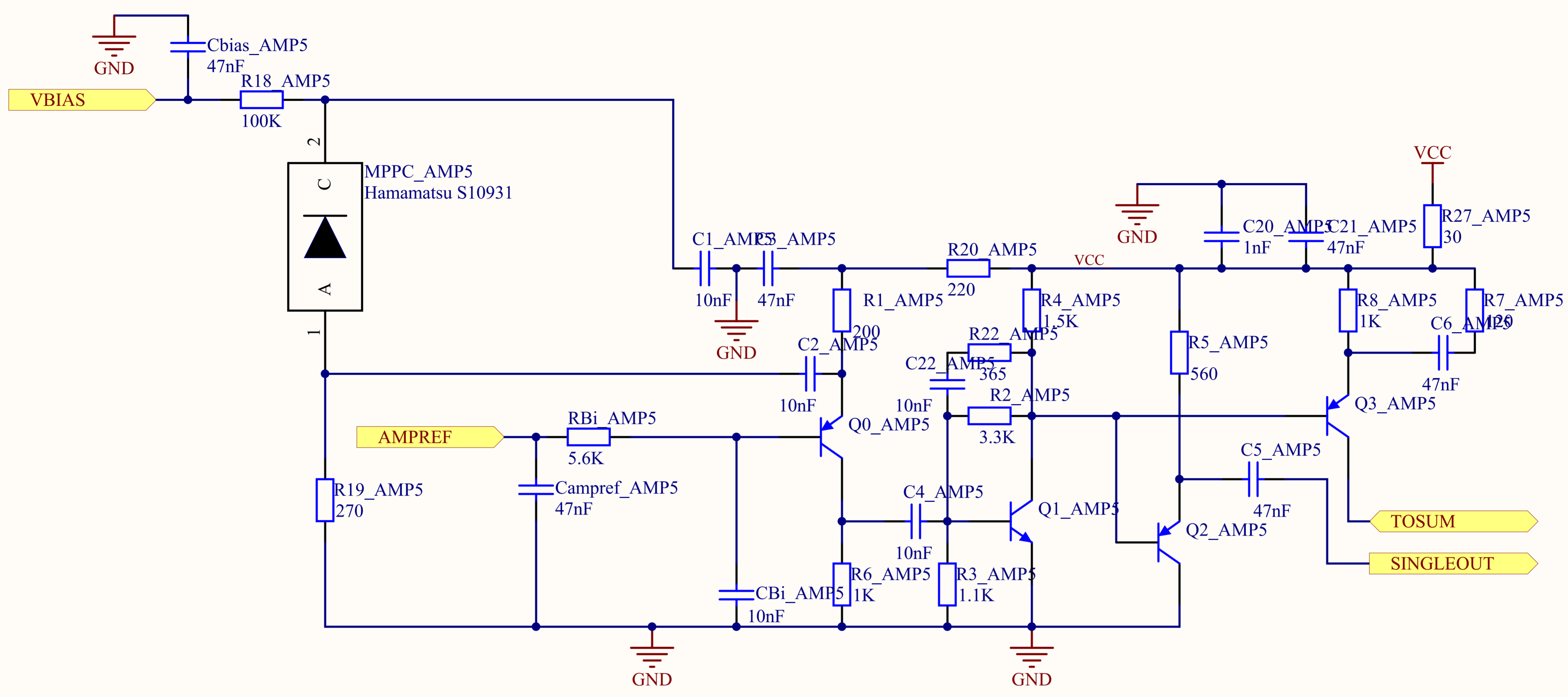
Altium Limited  
L3, 12a Rodborough Rd  
Frenchs Forest  
NSW  
Australia 2086



Size: A      Number:      Revision:

Date: 6/17/2013      Time: 11:27:16 AM Sheet 3 of 5

File: C:\Documents and Settings\aebarne\My Documents\UConn\Barnes\Final Production\Preamplifier\Preamp\_Chan.SchDoc



Title **TAGM Preamp Individual Channel**

Size: A      Number:      Revision:

Date: 6/17/2013      Time: 11:27:16 AM Sheet 3 of 5

File: C:\Documents and Settings\aebarne\My Documents\UConn\Barnes\Final Production\Preamplifier\Preamp\_Chan.SchDoc

Altium Limited  
L3, 12a Rodborough Rd  
Frenchs Forest  
NSW  
Australia 2086



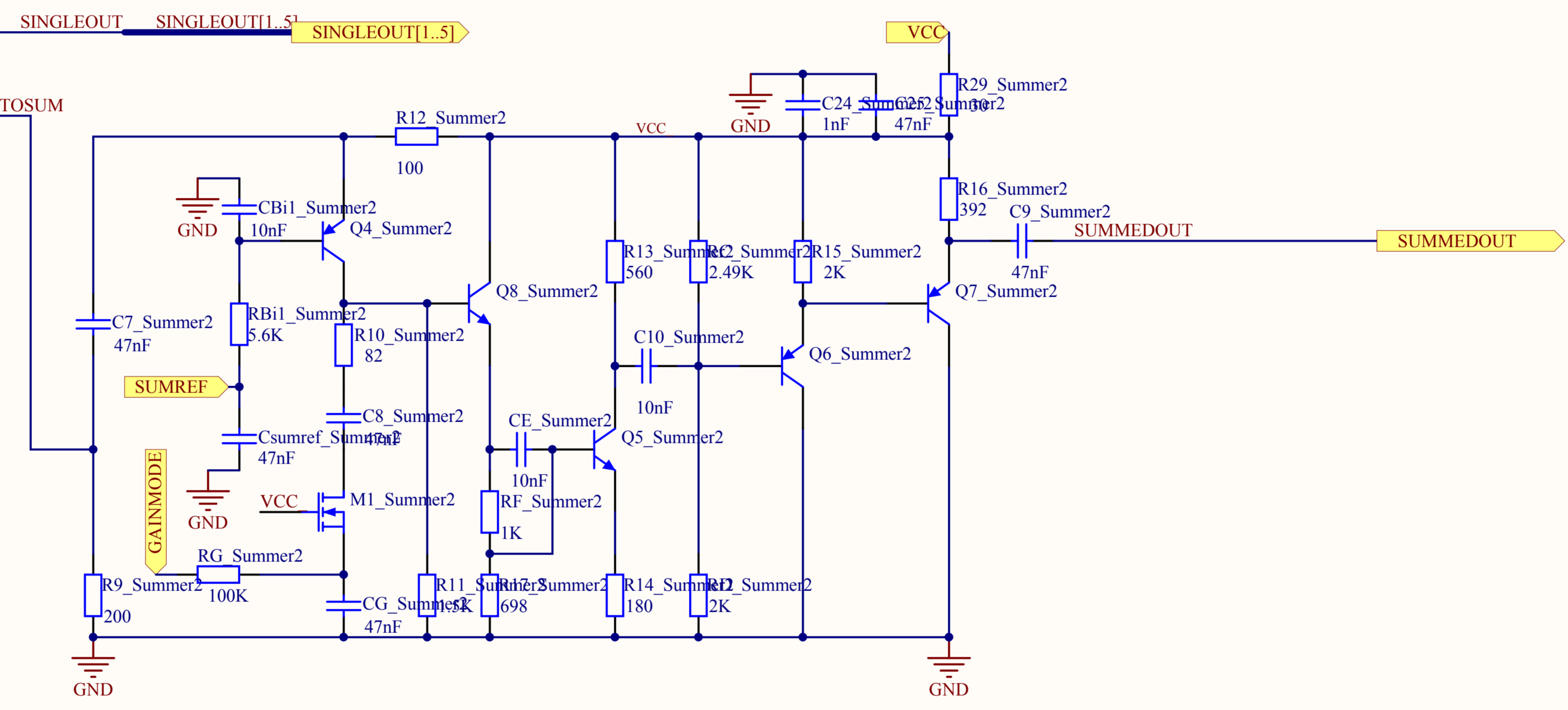
Repeat(AMP,1,5)  
Preamp\_Chan.SchDoc


Repeat(SINGLEOUT)

Repeat(VBIAS)

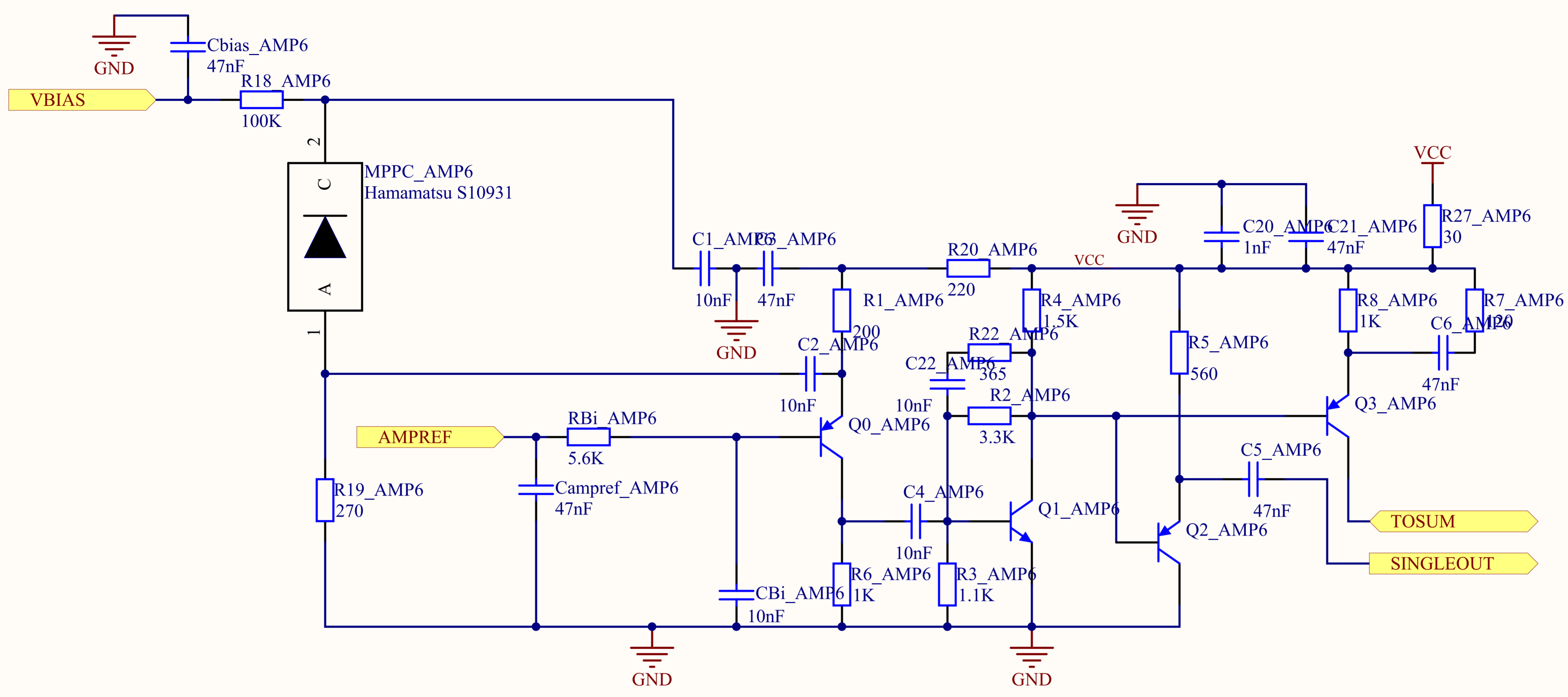
AMPREF

TOSUM



Title <b>TAGM Preamp Summer</b>			Altium Limited L3, 12a Rodborough Rd Frenchs Forest NSW Australia 2086	
Size: B	Number:	Revision:		
Date: 6/17/2013	Time: 11:27:16 AM	Sheet 2 of 5		
File: C:\Documents and Settings\aebarne\My Documents\UConn\Barnes\Final Production\Preamplifier\Preamp_Sum.SchDoc				
1	2	3		





Title **TAGM Preamp Individual Channel**

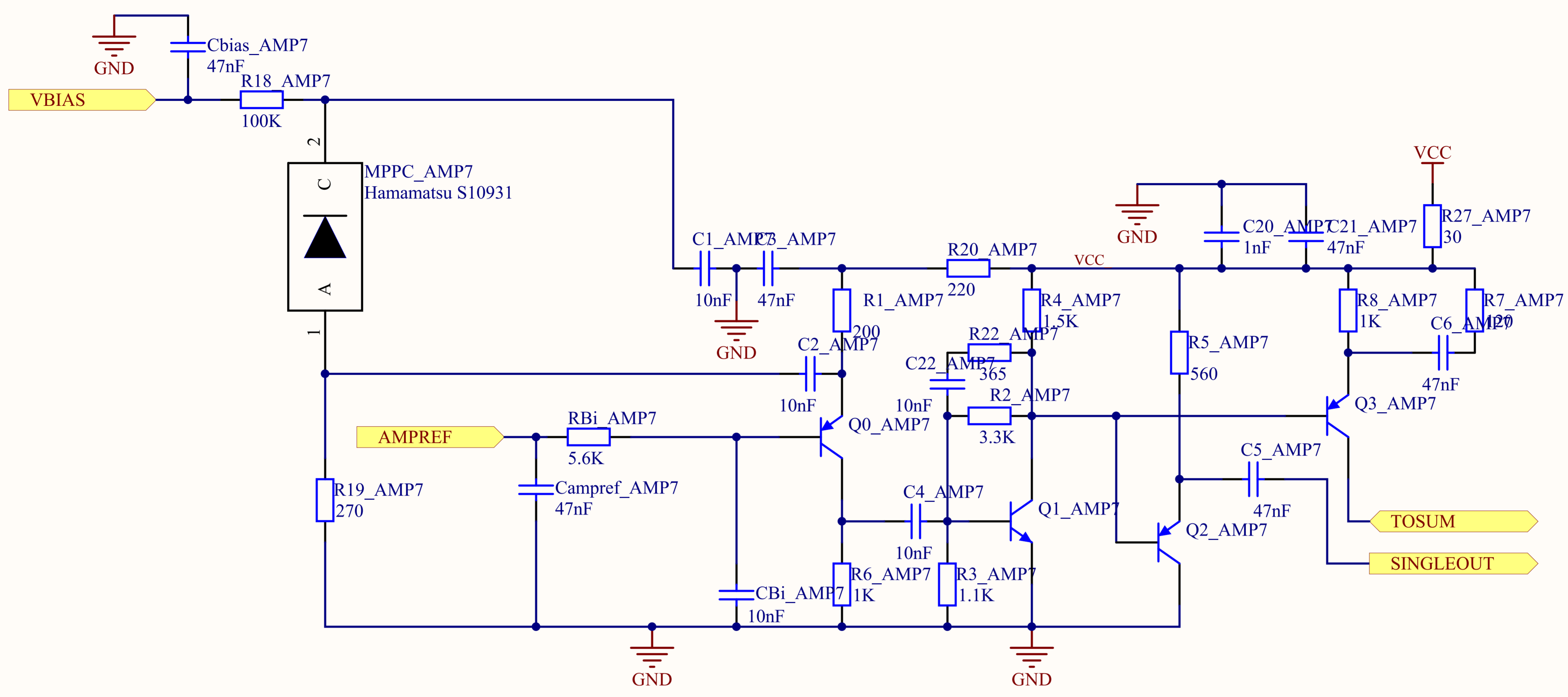
Size: A      Number:      Revision:

Date: 6/17/2013      Time: 11:27:16 AM Sheet 3 of 5

File: C:\Documents and Settings\aebarne\My Documents\UConn\Barnes\Final Production\Preamplifier\Preamp\_Chan.SchDoc

Altium Limited  
L3, 12a Rodborough Rd  
Frenchs Forest  
NSW  
Australia 2086





Title **TAGM Preamp Individual Channel**

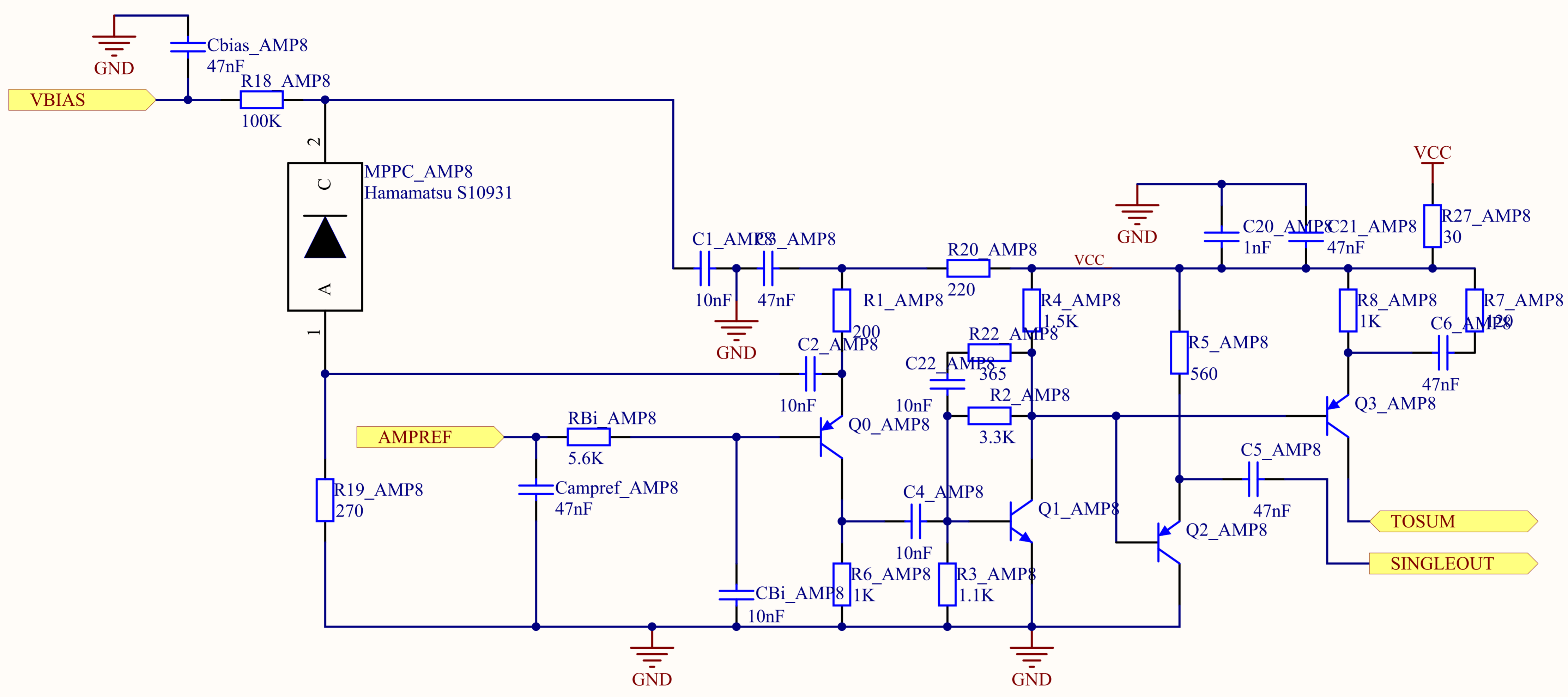
Size: A      Number:      Revision:

Date: 6/17/2013      Time: 11:27:17 AM Sheet 3 of 5

File: C:\Documents and Settings\aebarne\My Documents\UConn\Barnes\Final Production\Preamplifier\Preamp\_Chan.SchDoc

Altium Limited  
L3, 12a Rodborough Rd  
Frenchs Forest  
NSW  
Australia 2086





Title **TAGM Preamp Individual Channel**

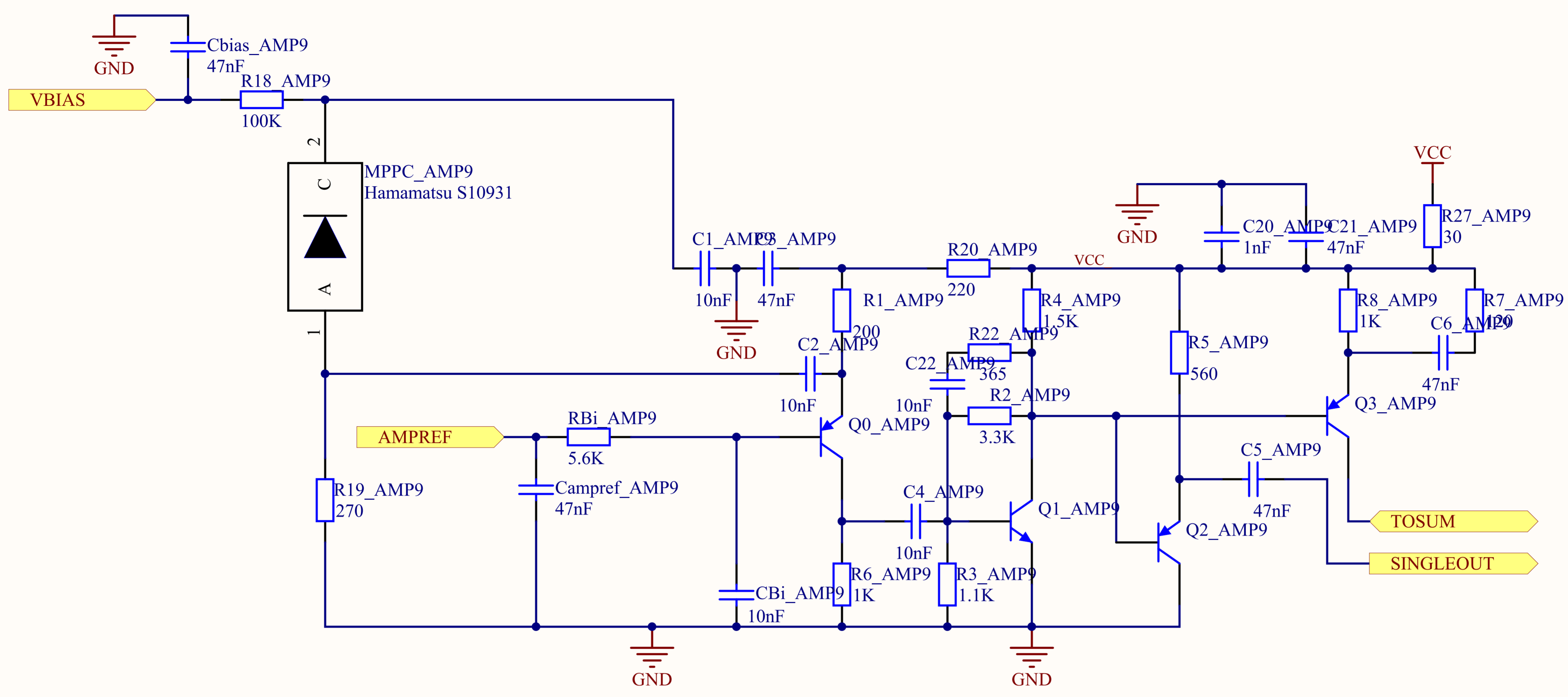
Size: A Number: Revision:

Date: 6/17/2013 Time: 11:27:17 AM Sheet 3 of 5

File: C:\Documents and Settings\aebarne\My Documents\UConn\Barnes\Final Production\Preamplifier\Preamp\_Chan.SchDoc

Altium Limited  
L3, 12a Rodborough Rd  
Frenchs Forest  
NSW  
Australia 2086





Title **TAGM Preamp Individual Channel**

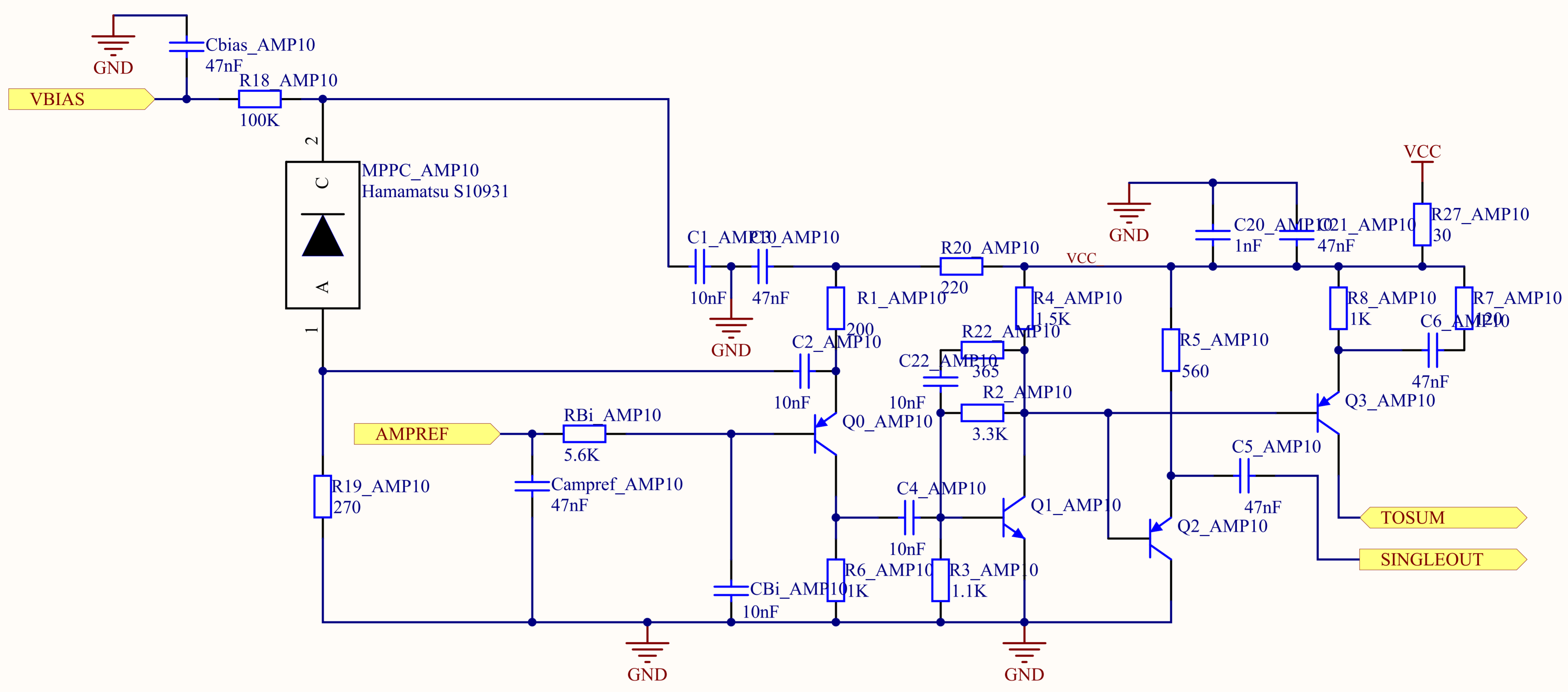
Altium Limited  
L3, 12a Rodborough Rd  
Frenchs Forest  
NSW  
Australia 2086



Size: A      Number:      Revision:

Date: 6/17/2013      Time: 11:27:17 AM Sheet 3 of 5

File: C:\Documents and Settings\aebarne\My Documents\UConn\Barnes\Final Production\Preamplifier\Preamp\_Chan.SchDoc



Title **TAGM Preamp Individual Channel**

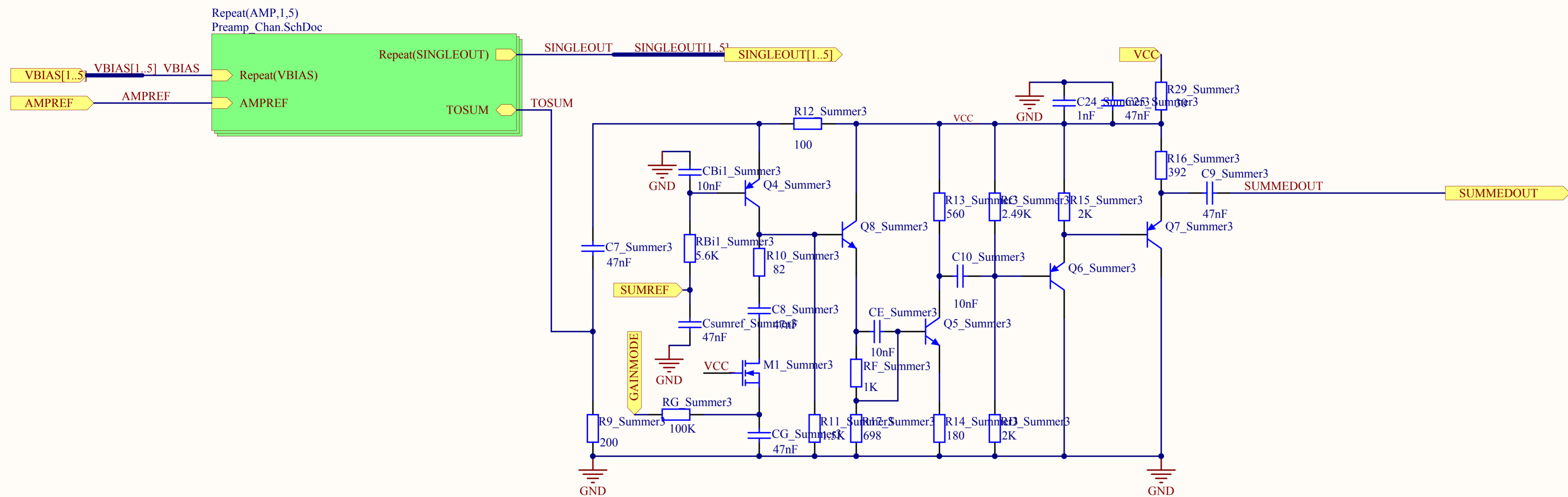
Size: A      Number:      Revision:


Date: 6/17/2013      Time: 11:27:18 AM Sheet 3 of 5

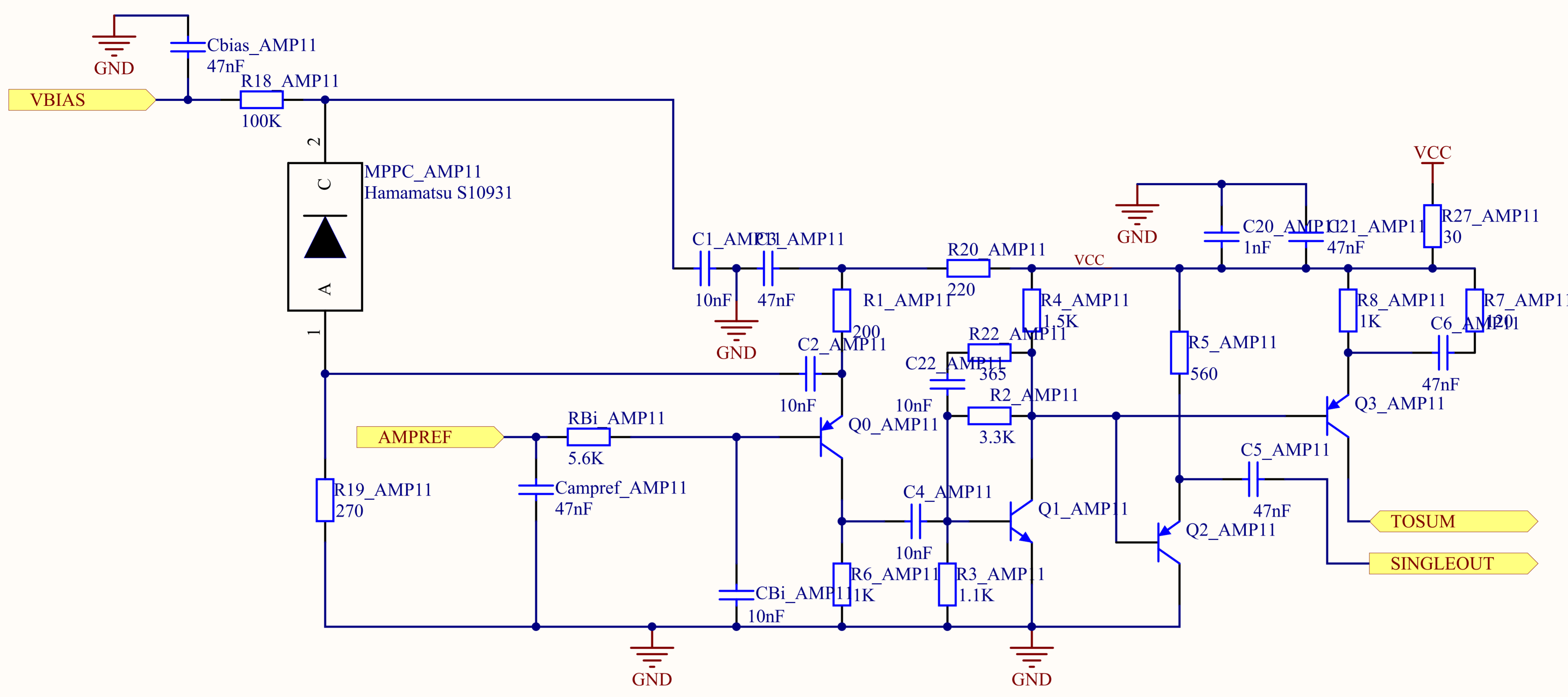
File: C:\Documents and Settings\aebarne\My Documents\UConn\Barnes\Final Production\Preamplifier\Preamp\_Chan.SchDoc

Altium Limited  
L3, 12a Rodborough Rd  
Frenchs Forest  
NSW  
Australia 2086





Title <b>TAGM Preamp Summer</b>			Altium Limited L3, 12a Rodborough Rd Frenchs Forest NSW Australia 2086	
Size: B	Number:	Revision:		
Date: 6/17/2013	Time: 11:27:18 AM	Sheet 2 of 5		
File: C:\Documents and Settings\aeabarnes\My Documents\UConn\Barnes\Final Production\Preamplifier\Preamp_Sum.SchDoc				



Title **TAGM Preamp Individual Channel**

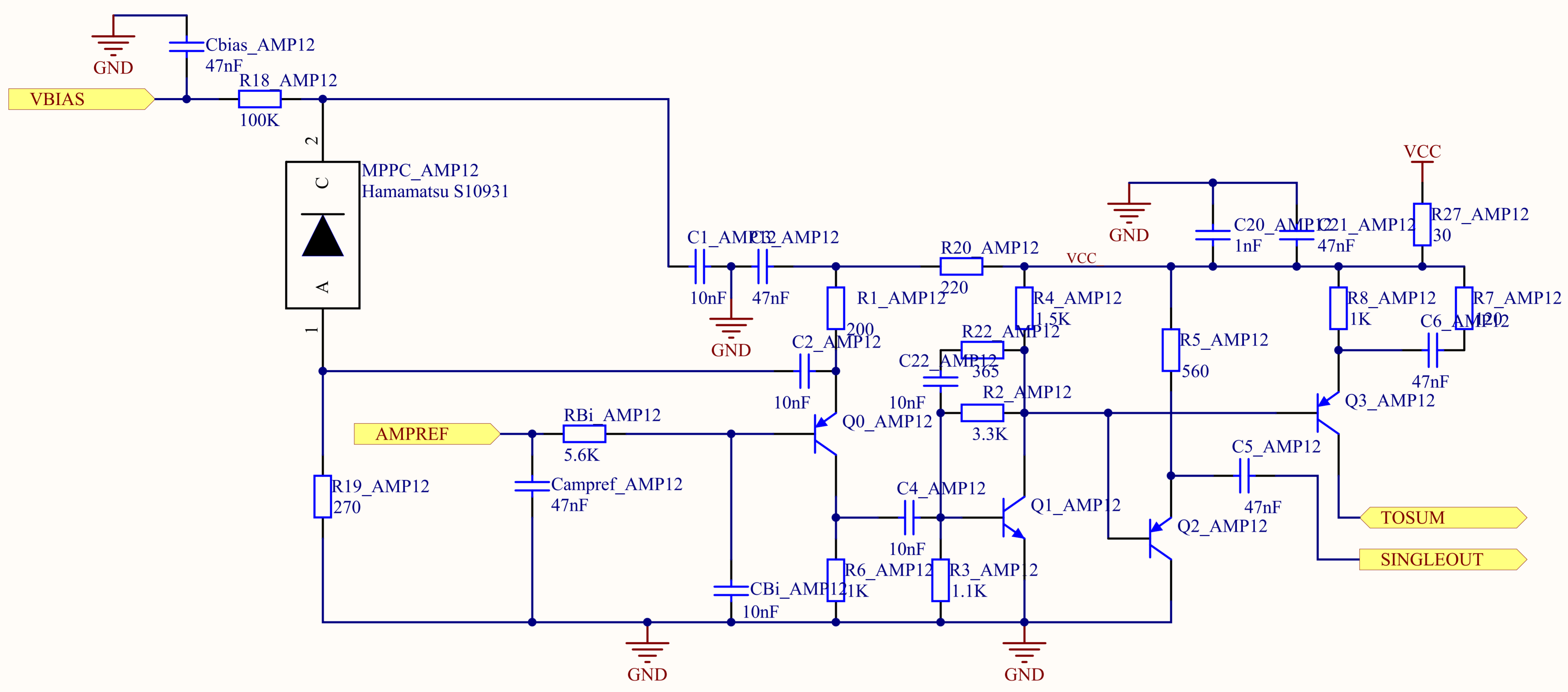
Size: A      Number:      Revision:

Date: 6/17/2013      Time: 11:27:18 AM Sheet 3 of 5

File: C:\Documents and Settings\aebarne\My Documents\UConn\Barnes\Final Production\Preamplifier\Preamp\_Chan.SchDoc

Altium Limited  
L3, 12a Rodborough Rd  
Frenchs Forest  
NSW  
Australia 2086





Title **TAGM Preamp Individual Channel**

Size: A Number: Revision:

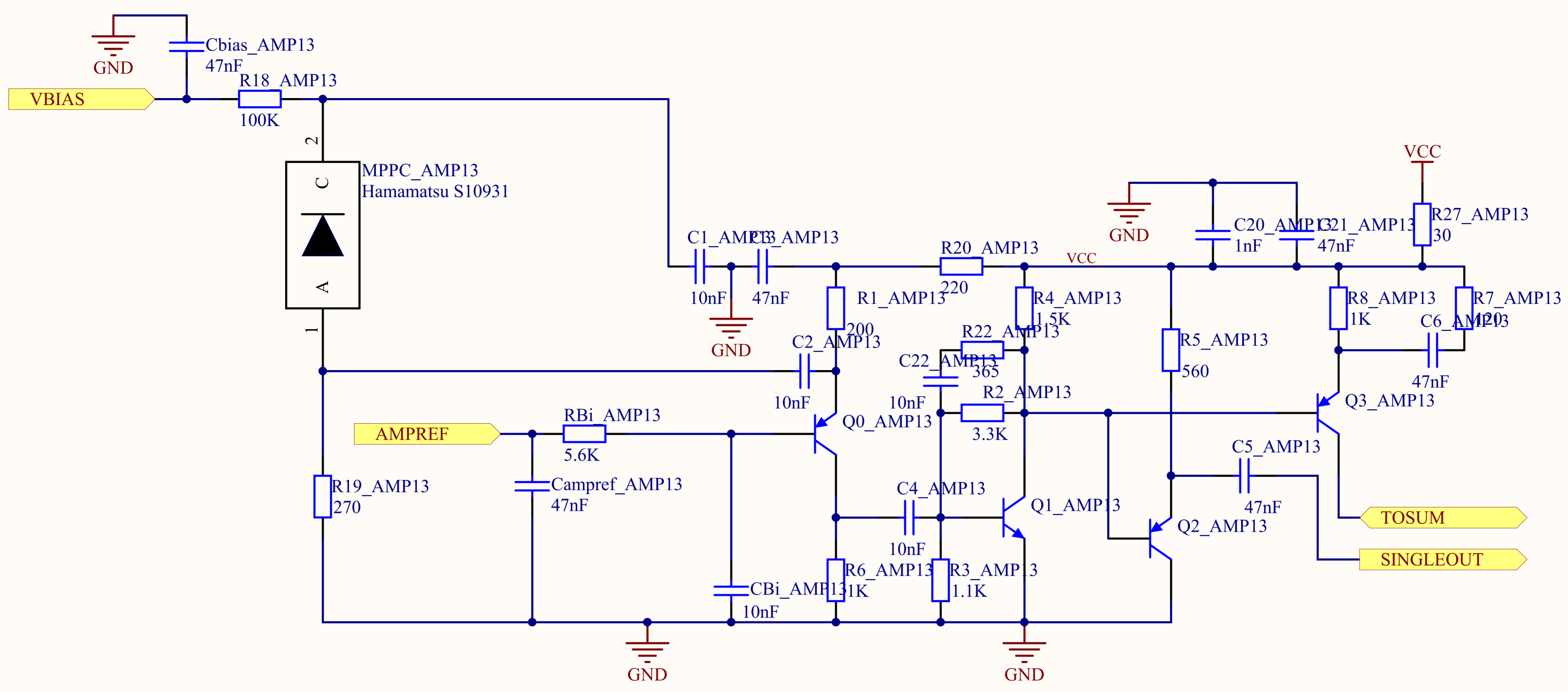
Date: 6/17/2013 Time: 11:27:18 AM Sheet 3 of 5

File: C:\Documents and Settings\aebarne\My Documents\UConn\Barnes\Final Production\Preamplifier\Preamp\_Chan.SchDoc

Altium Limited  
L3, 12a Rodborough Rd  
Frenchs Forest  
NSW  
Australia 2086







Title **TAGM Preamp Individual Channel**

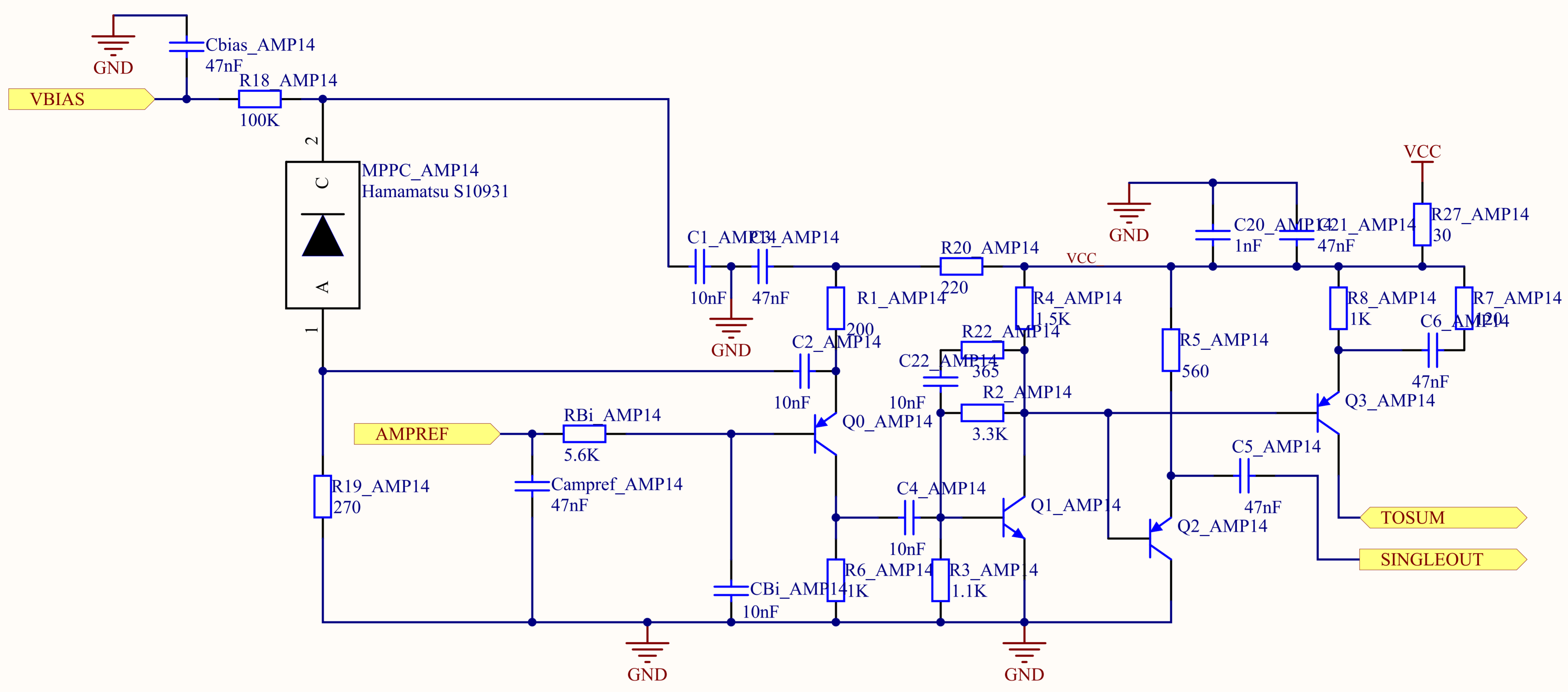
Size: A      Number:      Revision:

Date: 6/17/2013      Time: 11:27:19 AM Sheet 3 of 5

File: C:\Documents and Settings\aebarne\My Documents\UConn\Barnes\Final Production\Preamplifier\Preamp\_Chan.SchDoc

Altium Limited  
L3, 12a Rodborough Rd  
Frenchs Forest  
NSW  
Australia 2086





Title **TAGM Preamp Individual Channel**

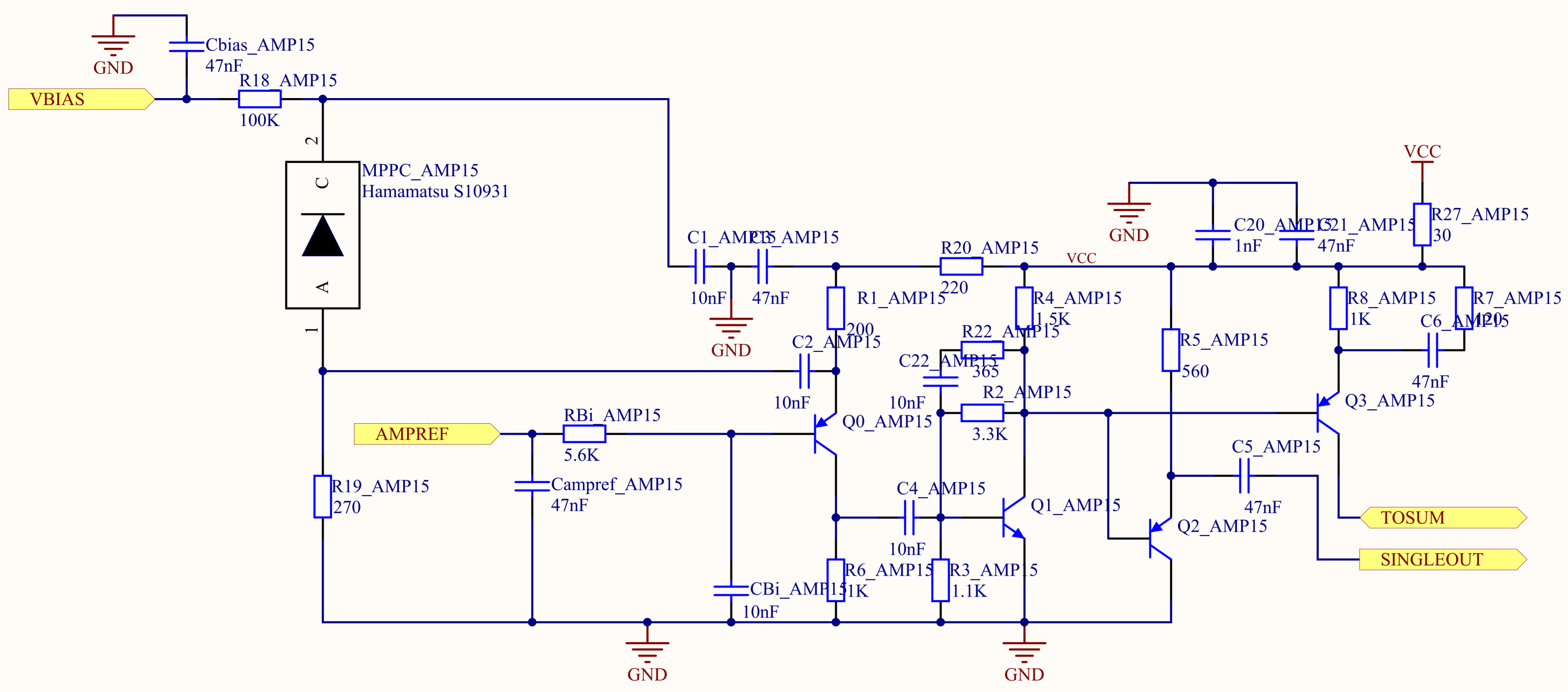
Size: A      Number:      Revision:

Date: 6/17/2013      Time: 11:27:19 AM Sheet 3 of 5

File: C:\Documents and Settings\aebarne\My Documents\UConn\Barnes\Final Production\Preamplifier\Preamp\_Chan.SchDoc

Altium Limited  
L3, 12a Rodborough Rd  
Frenchs Forest  
NSW  
Australia 2086





Title **TAGM Preamp Individual Channel**

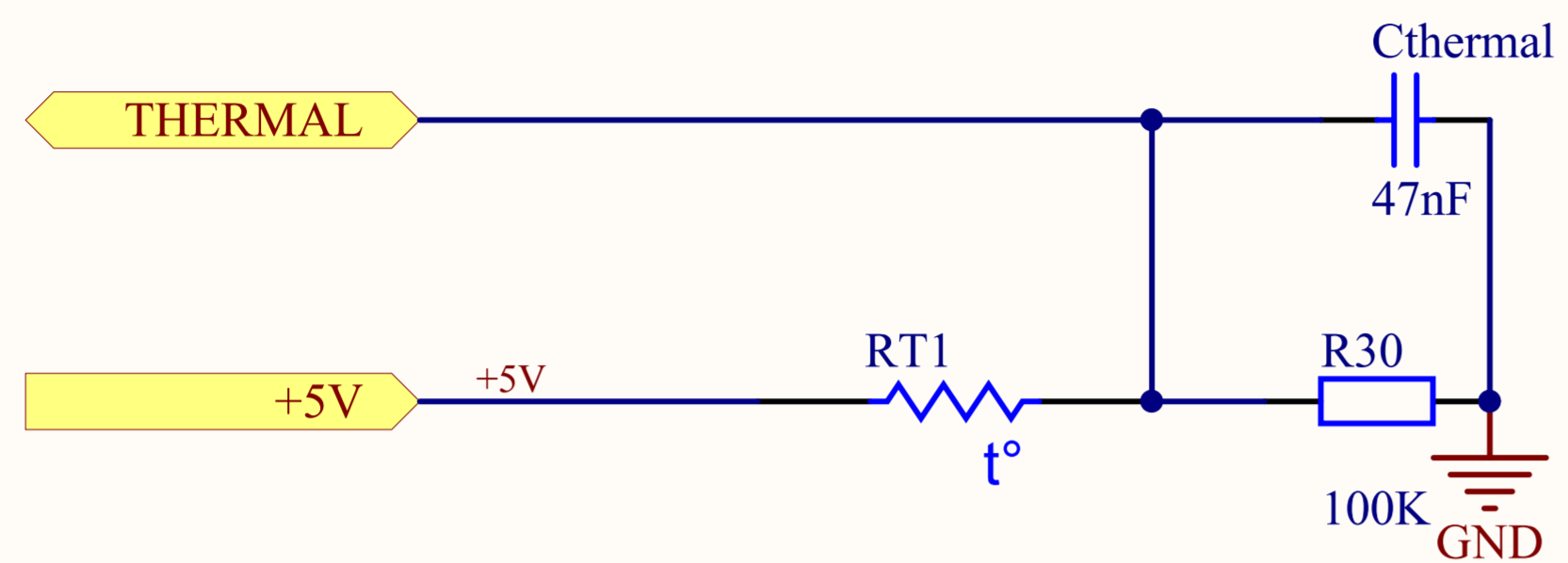
Size: A      Number:      Revision:

Date: 6/17/2013      Time: 11:27:19 AM Sheet 3 of 5

File: C:\Documents and Settings\aebarne\My Documents\UConn\Barnes\Final Production\Preamplifier\Preamp\_Chan.SchDoc

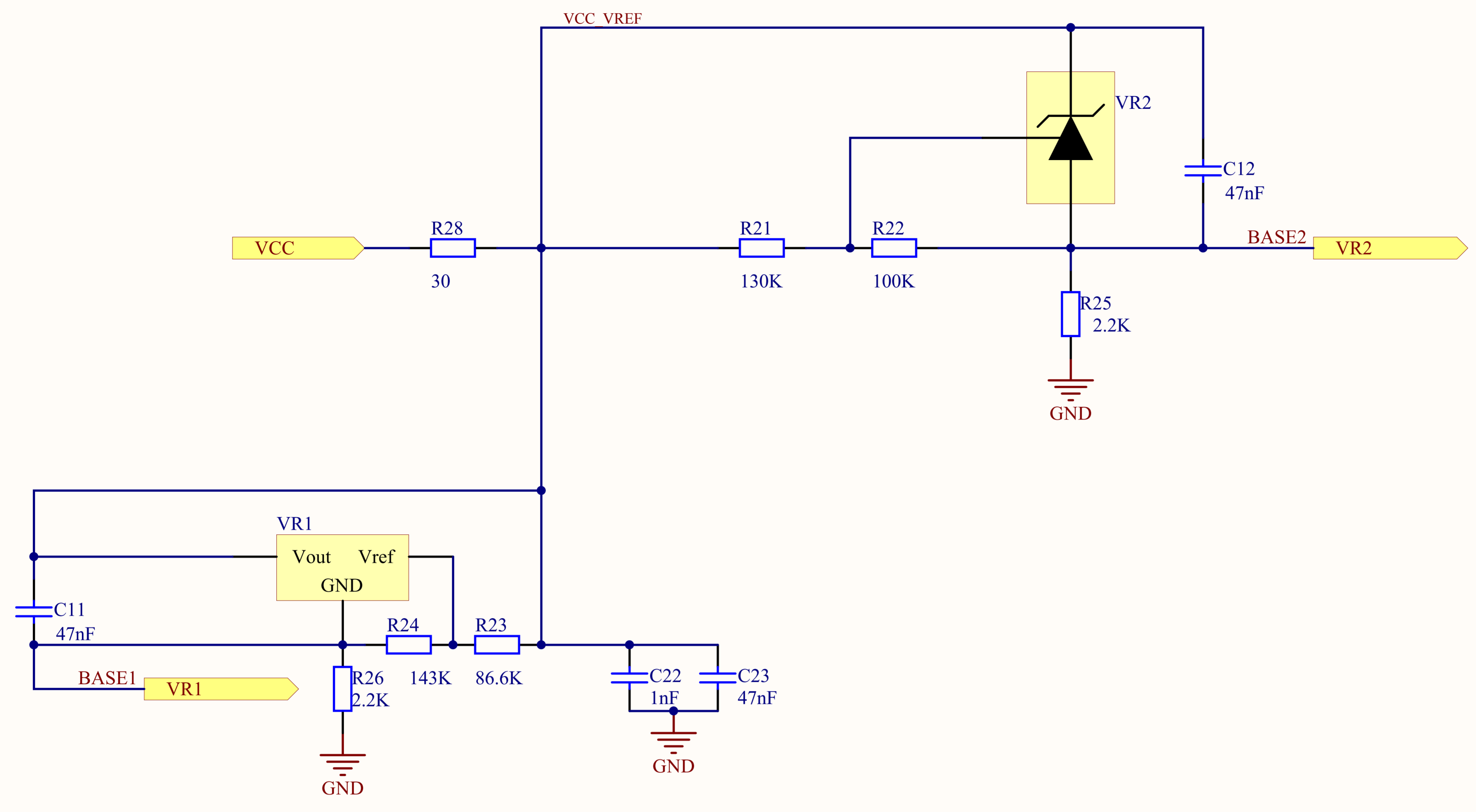
Altium Limited  
L3, 12a Rodborough Rd  
Frenchs Forest  
NSW  
Australia 2086





Title <b>TAGM Preamp Thermistor</b>		Altium Limited L3, 12a Rodborough Rd Frenchs Forest NSW Australia 2086	
Size: A	Number:	Revision:	
Date: 6/17/2013	Time: 11:27:19 AM	Sheet 4 of 5	
File: C:\Documents and Settings\aeabarnes\My Documents\UConn\Barnes\Final Production\Preamp\Thermistor.SchDoc			





Title **TAGM Preamp Voltage References**

Altium Limited  
 L3, 12a Rodborough Rd  
 Frenchs Forest  
 NSW  
 Australia 2086

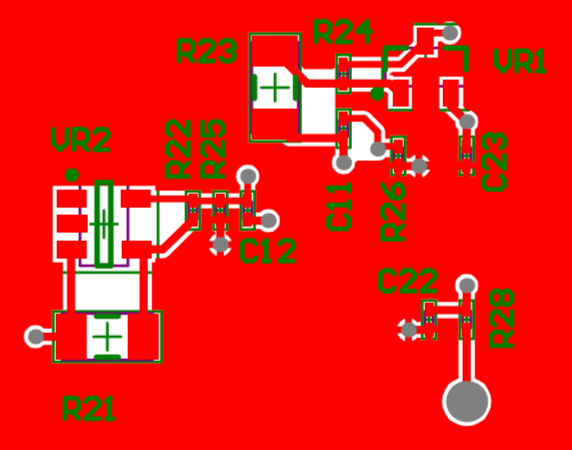
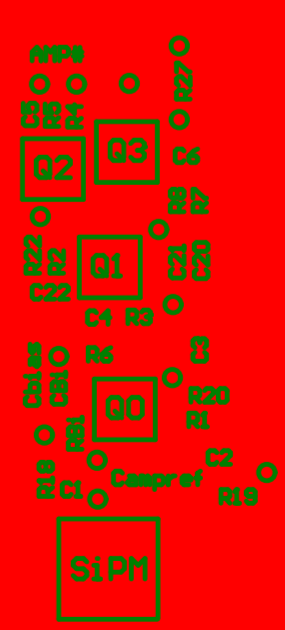


Size: A      Number:      Revision:

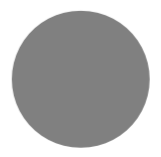
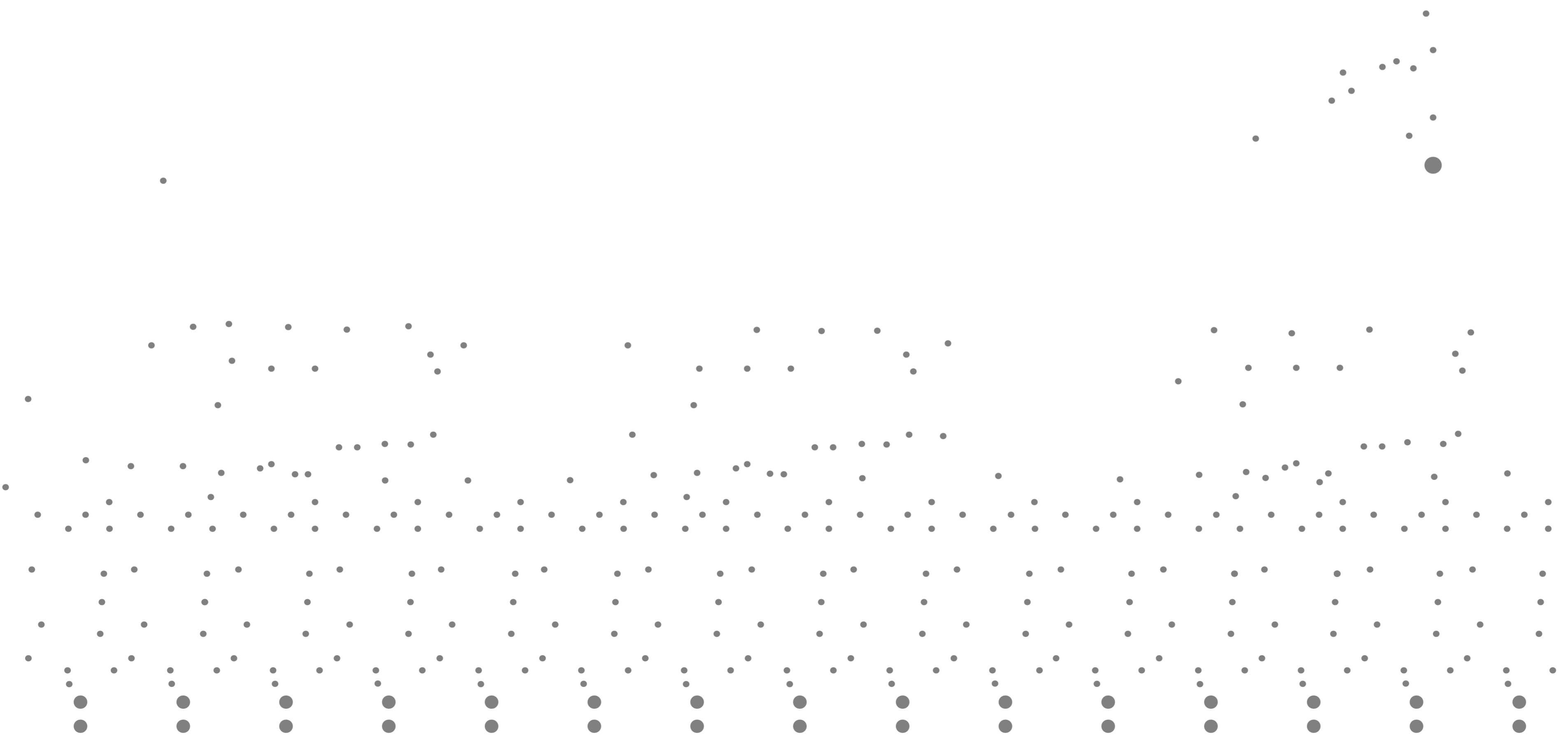
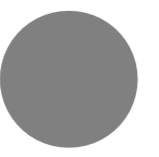
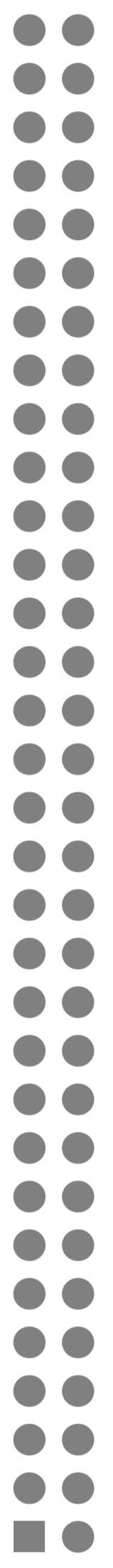
Date: 6/17/2013      Time: 11:27:20 AM Sheet 5 of 5

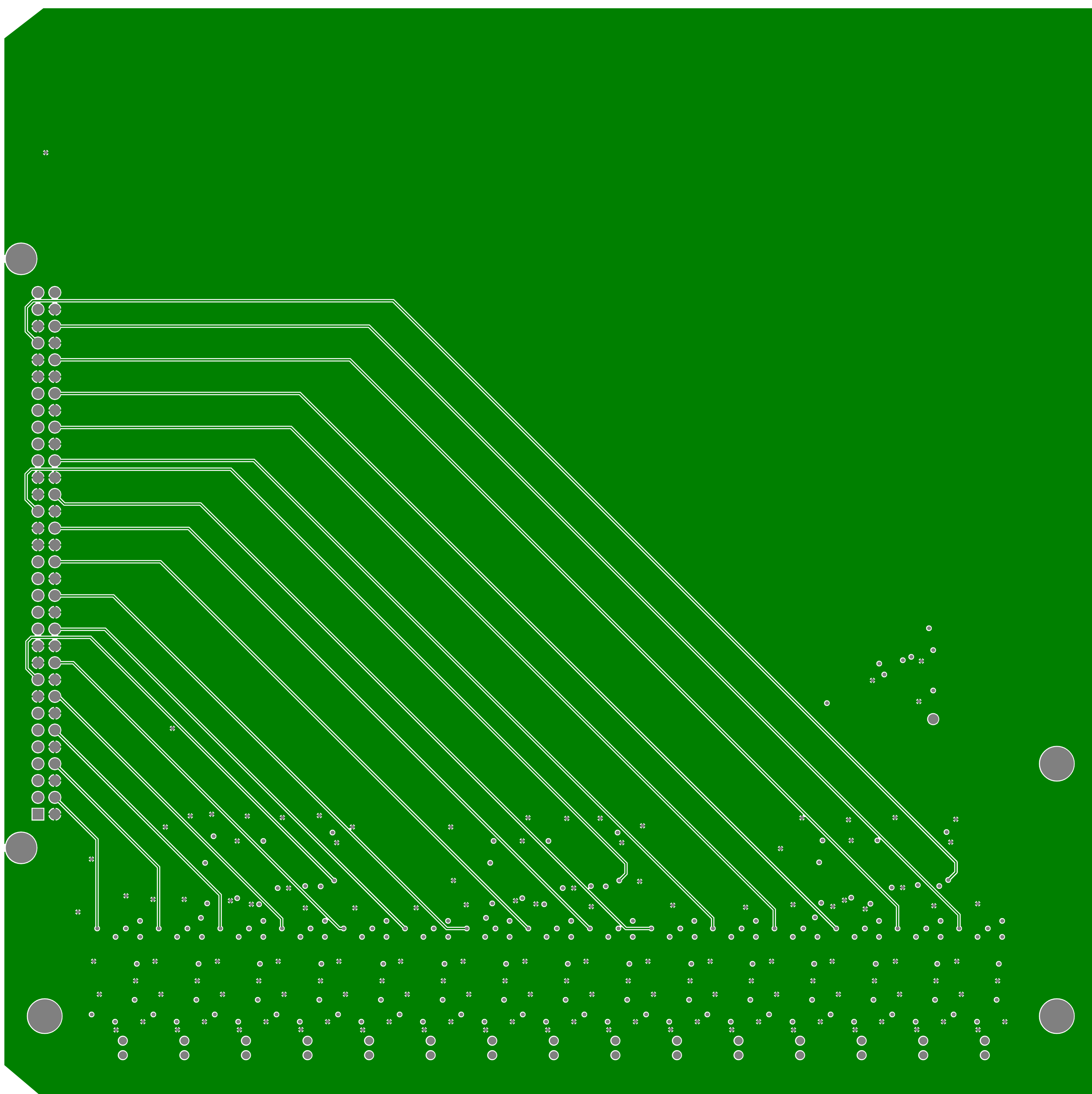
File: C:\Documents and Settings\aebarne\My Documents\UConn\Barnes\Final Production\Preamp\Voltage References.SchDoc

GlueX Tagger Microscope Pre-amp  
University of Connecticut  
Revision: 3/25/2013  
AEB / RTJ



.







.

